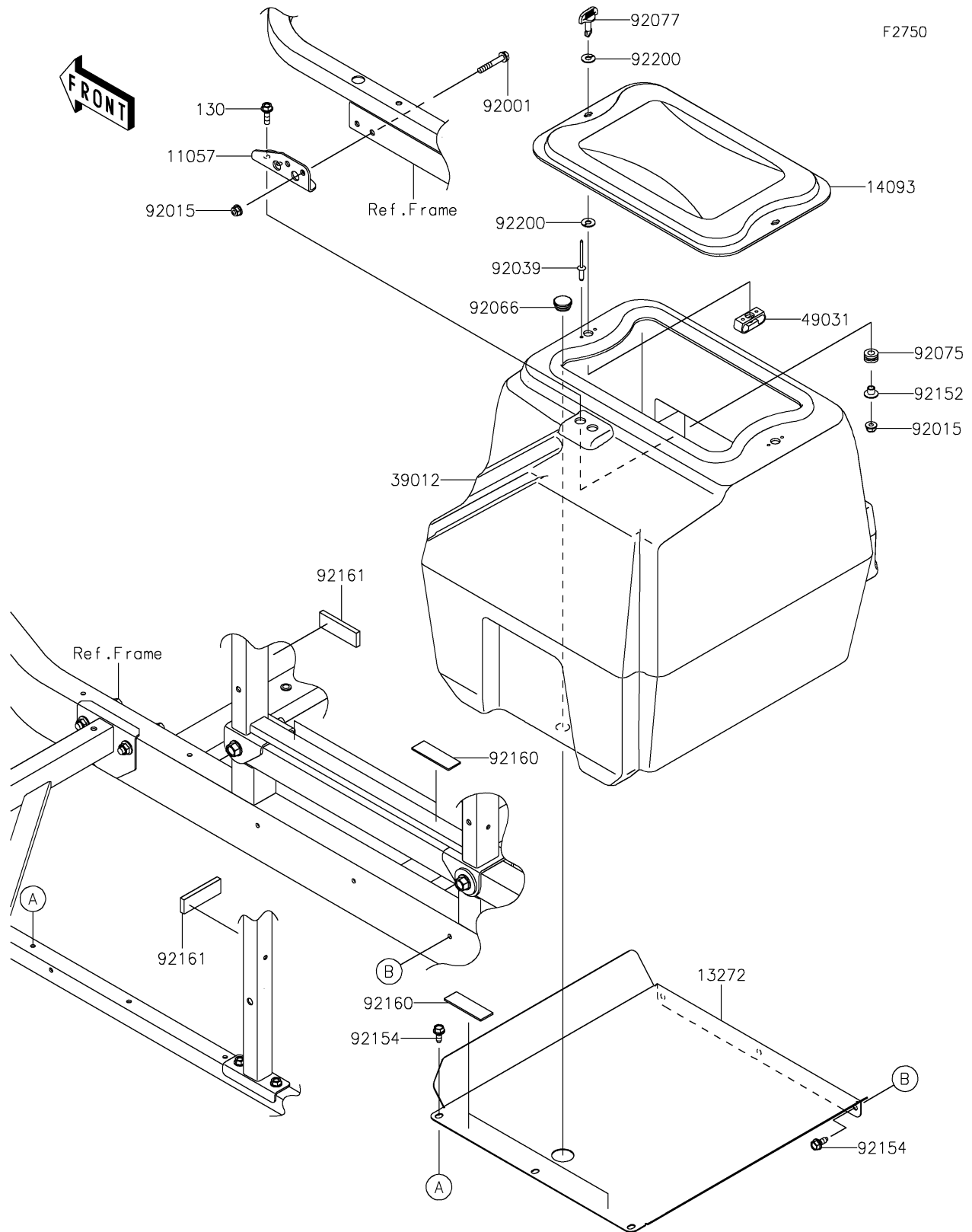


2018 MULE PRO-FX™ EPS LE PARTS DIAGRAM

Other



2018 MULE PRO-FX™ EPS LE PARTS LIST

Other

ITEM NAME	PART NUMBER	QUANTITY
BRACKET,TUB MOUNT (Ref # 11057)	11057-1503	1
BOLT-FLANGED,6X20 (Ref # 130)	130BA0620	1
PLATE,FLOOR BOTTOM (Ref # 13272)	13272-2205	1
COVER,STORAGE BOX (Ref # 14093)	14093-0523	1
CASE-STORAGE (Ref # 39012)	39012-0046	1
LATCH (Ref # 49031)	49031-0008	1
BOLT,FLANGED,6X38 (Ref # 92001)	92001-1105	1
NUT,LOCK,FLANGED,6MM (Ref # 92015)	92015-1603	1
RIVET,3.2X9.5 (Ref # 92039)	92039-0785	1
PLUG (Ref # 92066)	92066-1306	1
DAMPER (Ref # 92075)	92075-1912	1
KNOB (Ref # 92077)	92077-0030	1
COLLAR,6.3X8.3X9.2 (Ref # 92152)	92152-0237	1
BOLT,6X15.6 (Ref # 92154)	92154-1250	1
DAMPER (Ref # 92160)	92160-1075	1
DAMPER,20X60X6 (Ref # 92161)	92161-1874	1
WASHER (Ref # 92200)	92200-0503	1