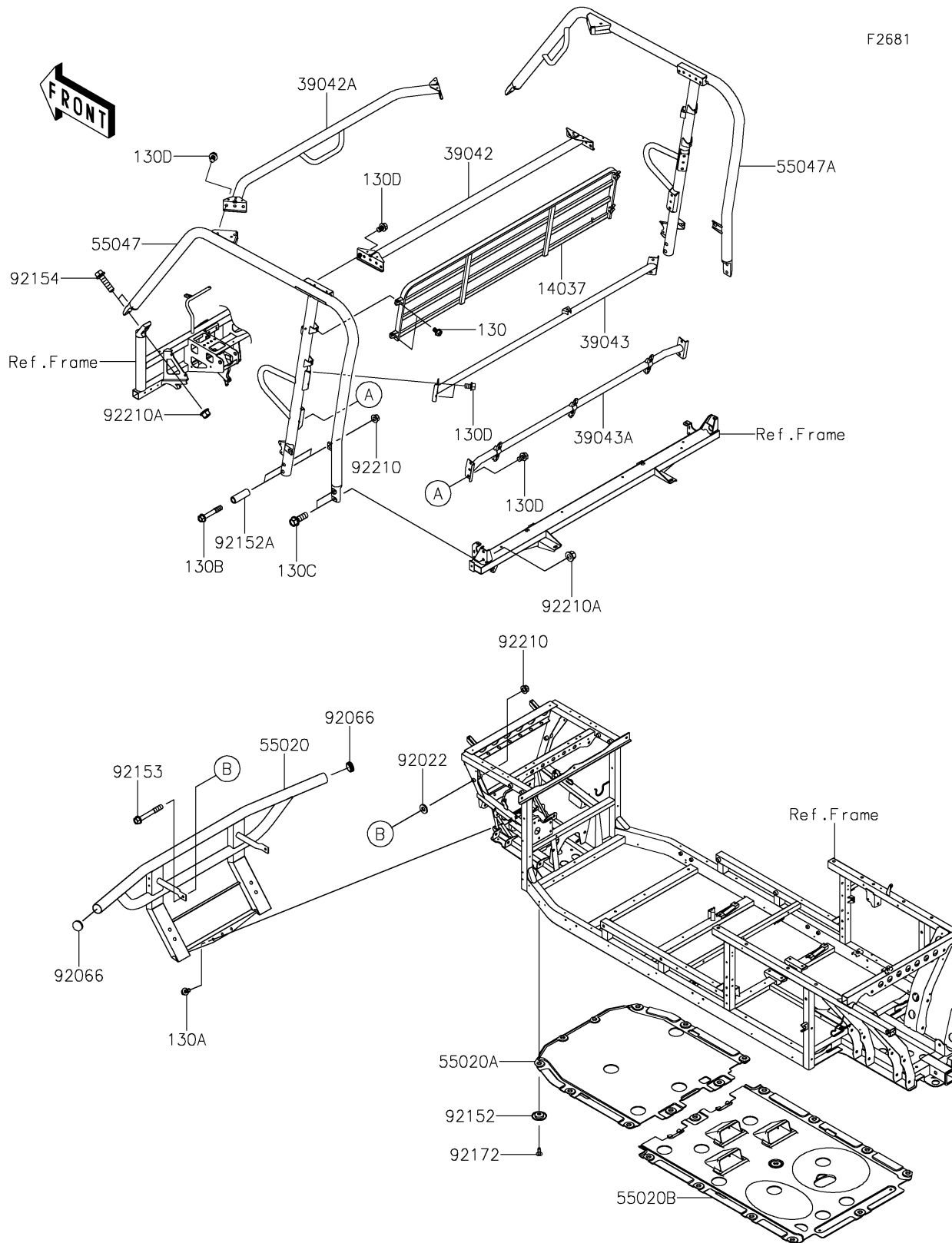


2018 MULE PRO-FX™ EPS LE PARTS DIAGRAM

Guards/Cab Frame



2018 MULE PRO-FX™ EPS LE PARTS LIST

Guards/Cab Frame

ITEM NAME	PART NUMBER	QUANTITY
BOLT-FLANGED,8X12 (Ref # 130)	130BA0812	1
BOLT-FLANGED,8X16 (Ref # 130A)	130BA0816	1
BOLT-FLANGED,10X60 (Ref # 130B)	130BA1060	1
BOLT-FLANGED,12X35 (Ref # 130C)	130BA1235	1
BOLT-FLANGED,10X14 (Ref # 130D)	130CA1014	1
SCREEN,T.BLACK (Ref # 14037)	14037-0758-388	1
CROSSMEMBER,RR,T.BLACK (Ref # 39042)	39042-0015-388	1
CROSSMEMBER,FR,T.BLACK (Ref # 39042A)	39042-0016-388	1
CROSSMEMBER-COMP,B-P.,UPP,BLK (Ref # 39043)	39043-0016-388	1
CROSSMEMBER-COMP,B-P.,LWR,BLK (Ref # 39043A)	39043-0017-388	1
GUARD,FR PIPE,T.BLACK (Ref # 55020)	55020-0933-388	1
GUARD,SKID PLATE (Ref # 55020A)	55020-0934	1
GUARD,SKID PLATE (Ref # 55020B)	55020-0935	1
BAR-COMP,B-PILLAR,LH,T.BLACK (Ref # 55047)	55047-0363-388	1
BAR-COMP,B-PILLAR,RH,T.BLACK (Ref # 55047A)	55047-0364-388	1
WASHER,10X22X3 (Ref # 92022)	92022-1365	1
PLUG (Ref # 92066)	92066-0769	1
COLLAR (Ref # 92152)	92152-0784	1
COLLAR,10.5X16X47 (Ref # 92152A)	92152-1800	1
BOLT,FLANGED,10X75 (Ref # 92153)	92153-1384	1
BOLT,FLANGED,12X45 (Ref # 92154)	92154-1420	1
SCREW,TAPPING,6X16 (Ref # 92172)	92172-0739	1
NUT,LOCK,FLANGED,10MM (Ref # 92210)	92210-0276	1
NUT,12MM (Ref # 92210A)	92210-0603	1