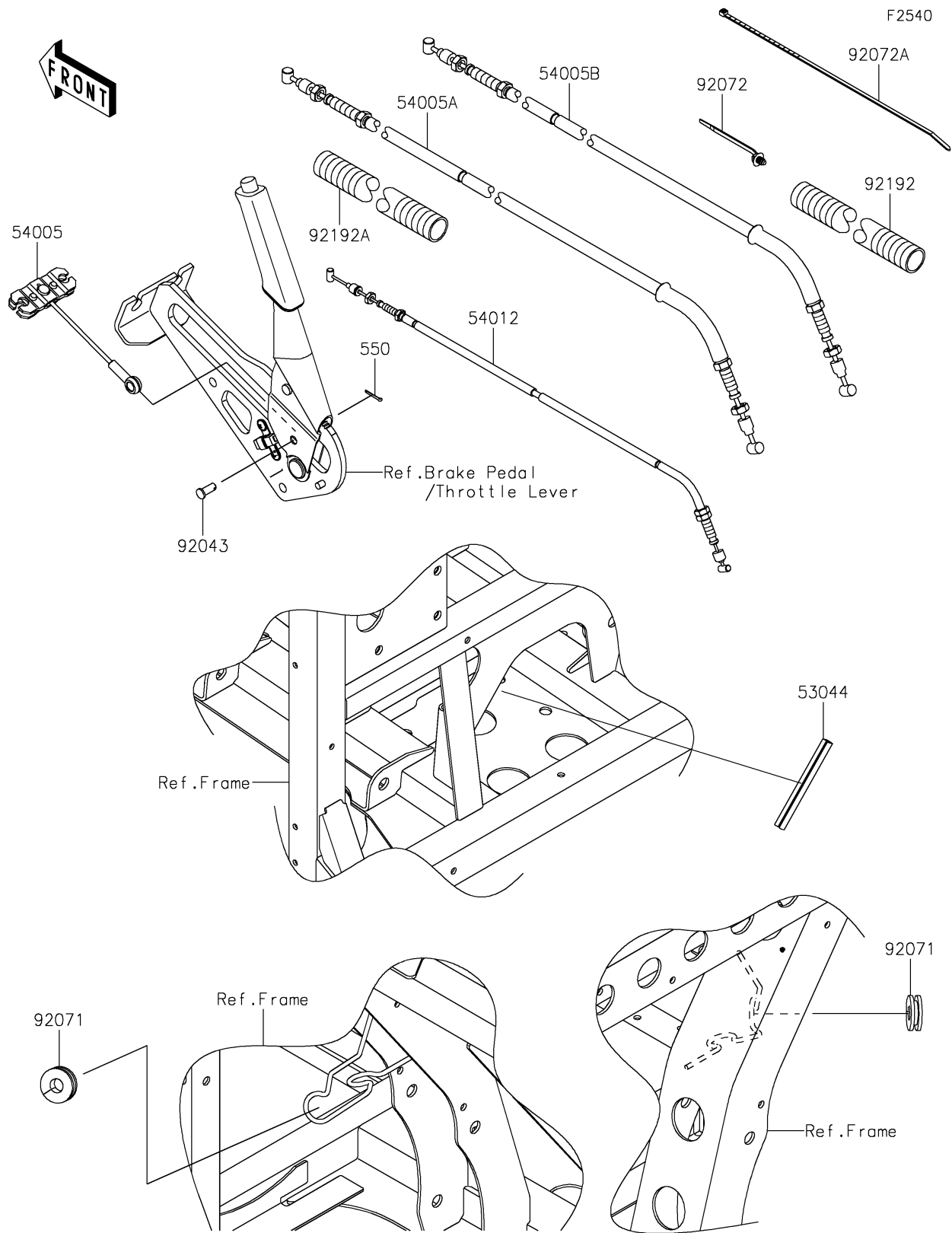


2018 MULE PRO-FX™ PARTS DIAGRAM

Cables



2018 MULE PRO-FX™ PARTS LIST

Cables

| ITEM NAME | PART NUMBER | QUANTITY |
|--|-------------|----------|
| TRIM,L=111 (Ref # 53044) | 53044-7502 | 1 |
| CABLE-BRAKE,PARKING,FR (Ref # 54005) | 54005-0035 | 1 |
| CABLE-BRAKE,PARKING,LH (Ref # 54005A) | 54005-0039 | 1 |
| CABLE-BRAKE,PARKING,RH (Ref # 54005B) | 54005-0040 | 1 |
| CABLE-THROTTLE (Ref # 54012) | 54012-0639 | 1 |
| PIN-COTTER,2.5X18 (Ref # 550) | 550AA2518 | 1 |
| PIN (Ref # 92043) | 92043-1039 | 1 |
| GROMMET (Ref # 92071) | 92071-0029 | 1 |
| BAND,OS170-FT7(BLACK) (Ref # 92072) | 92072-1414 | 1 |
| BAND,L=292.1 (Ref # 92072A) | 92072-3509 | 1 |
| TUBE,CONVOLUTED,25.1X30X260 (Ref # 92192) | 92192-1363 | 1 |
| TUBE,CONVOLUTED,25.1X30X210 (Ref # 92192A) | 92192-1391 | 1 |