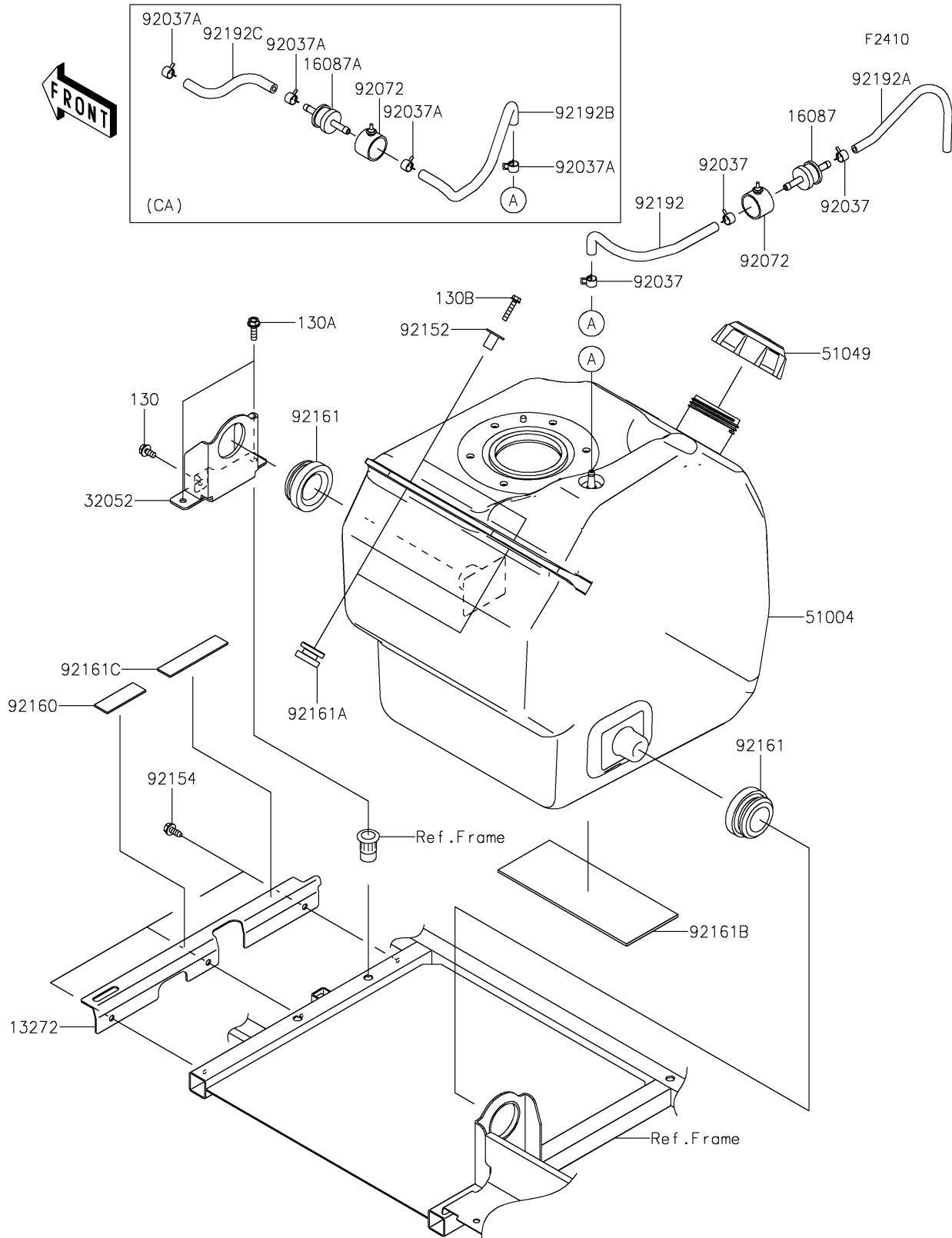


## 2018 MULE PRO-FXT™ EPS CAMO PARTS DIAGRAM

Fuel Tank(DJF/DKF)



## 2018 MULE PRO-FXT™ EPS CAMO PARTS LIST

Fuel Tank(DJF/DKF)

| ITEM NAME                            | PART NUMBER | QUANTITY |
|--------------------------------------|-------------|----------|
| BOLT-FLANGED,6X12 (Ref # 130)        | 130BA0612   | 1        |
| BOLT-FLANGED,6X20 (Ref # 130A)       | 130BA0620   | 1        |
| BOLT-FLANGED,6X30 (Ref # 130B)       | 130BA0630   | 1        |
| PLATE (Ref # 13272)                  | 13272-2206  | 1        |
| VALVE-CHECK (Ref # 16087)            | 16087-0008  | 1        |
| VALVE-CHECK (Ref # 16087A)           | 16087-0009  | 1        |
| BRACKET-TANK (Ref # 32052)           | 32052-0751  | 1        |
| TANK-FUEL (Ref # 51004)              | 51004-0018  | 1        |
| CAP-TANK,FUEL (Ref # 51049)          | 51049-0718  | 1        |
| CLAMP,TUBE (Ref # 92037)             | 92037-1461  | 1        |
| CLAMP (Ref # 92037A)                 | 92037-2113  | 1        |
| BAND (Ref # 92072)                   | 92072-0850  | 1        |
| COLLAR,6.8X10X18.1 (Ref # 92152)     | 92152-1867  | 1        |
| BOLT,6X15.6 (Ref # 92154)            | 92154-1250  | 1        |
| DAMPER (Ref # 92160)                 | 92160-1075  | 1        |
| DAMPER,30X56X25 (Ref # 92161)        | 92161-1613  | 1        |
| DAMPER,10X28X17 (Ref # 92161A)       | 92161-1614  | 1        |
| DAMPER,80X200X3.175 (Ref # 92161B)   | 92161-1645  | 1        |
| DAMPER (Ref # 92161C)                | 92161-1876  | 1        |
| TUBE,BREATHER (Ref # 92192)          | 92192-0773  | 1        |
| TUBE,BREATHER,5X9X220 (Ref # 92192A) | 92192-1199  | 1        |
| TUBE,5X10.4X185/35 (Ref # 92192B)    | 92192-1662  | 1        |
| TUBE,5X10.4X80 (Ref # 92192C)        | 92192-1663  | 1        |