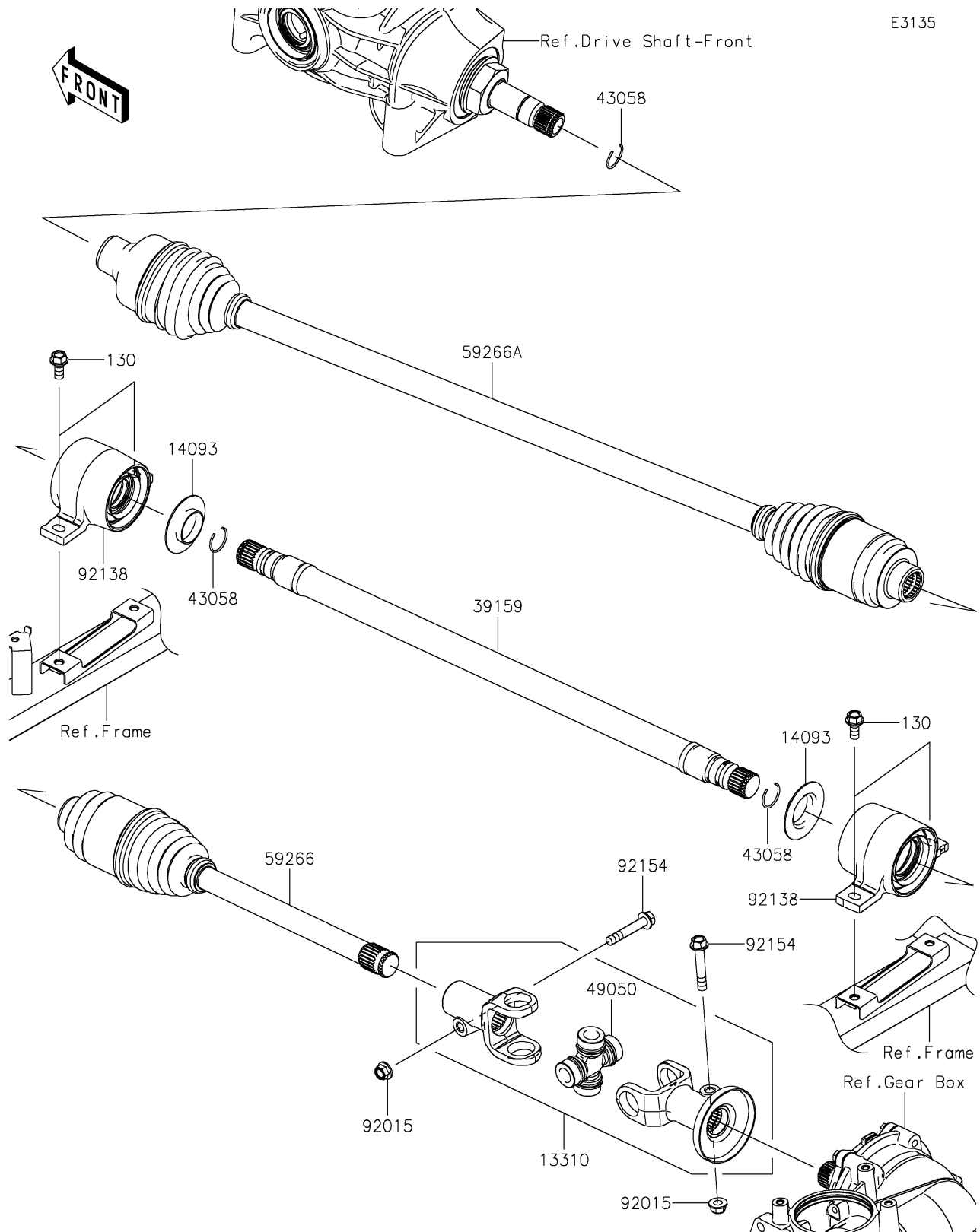


## 2018 MULE PRO-FXT™ EPS CAMO PARTS DIAGRAM

Drive Shaft-Propeller



E3135

## 2018 MULE PRO-FXT™ EPS CAMO PARTS LIST

Drive Shaft-Propeller

ITEM NAME	PART NUMBER	QUANTITY
BOLT-FLANGED,8X18 (Ref # 130)	130BA0818	1
SHAFT-ASSY (Ref # 13310)	13310-0038	1
COVER,SIDE RIP (Ref # 14093)	14093-0006	1
SHAFT-DRIVE (Ref # 39159)	39159-0045	1
RING (Ref # 43058)	43058-0018	1
SPIDER (Ref # 49050)	49050-0034	1
JOINT-BALL,T/M SIDE (Ref # 59266)	59266-0716	1
JOINT-BALL,FR DIFF SIDE (Ref # 59266A)	59266-0735	1
NUT,8MM (Ref # 92015)	92015-1432	1
BEARING-COMP (Ref # 92138)	92138-0002	1
BOLT,FLANGED,8X46 (Ref # 92154)	92154-1365	1