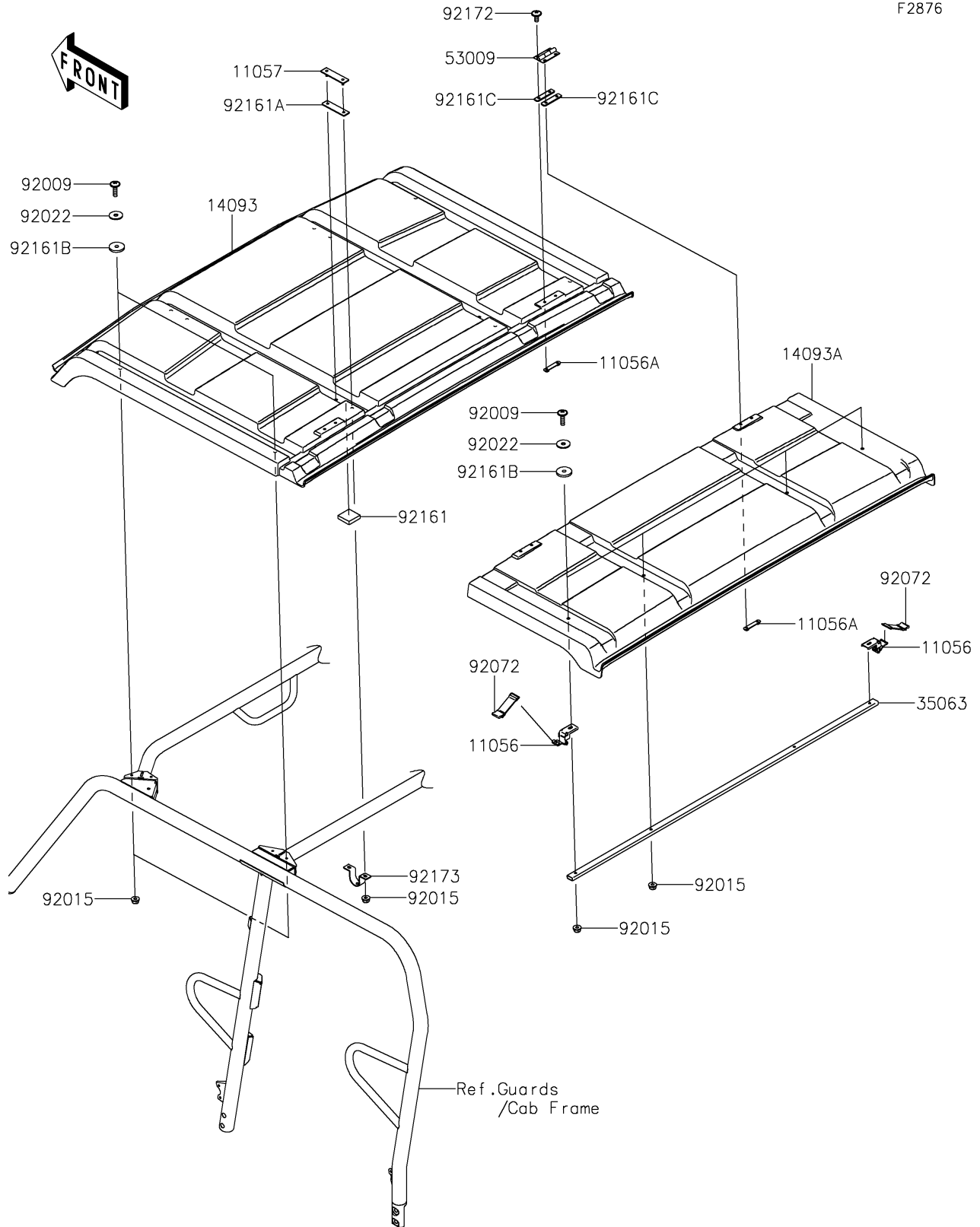


## 2018 MULE PRO-FXT™ EPS LE PARTS DIAGRAM

Sun Top

F2876



## 2018 MULE PRO-FXT™ EPS LE PARTS LIST

Sun Top

ITEM NAME	PART NUMBER	QUANTITY
BRACKET (Ref # 11056)	11056-3815	1
BRACKET (Ref # 11056A)	11056-3910	1
BRACKET (Ref # 11057)	11057-0074	1
COVER,SUNTOP,FR (Ref # 14093)	14093-0017	1
COVER,SUNTOP,RR (Ref # 14093A)	14093-0018	1
STAY,RR SUNTOP (Ref # 35063)	35063-0944	1
HINGE (Ref # 53009)	53009-0034	1
SCREW,6X22,BLACK (Ref # 92009)	92009-1256	1
NUT,LOCK,FLANGED,6MM (Ref # 92015)	92015-1603	1
WASHER,6.5X22X1.6 (Ref # 92022)	92022-237	1
BAND,TOOL (Ref # 92072)	92072-1176	1
DAMPER,25.4X25.4X6.3 (Ref # 92161)	92161-1405	1
DAMPER (Ref # 92161A)	92161-1476	1
DAMPER,6X25X3.15 (Ref # 92161B)	92161-1633	1
DAMPER (Ref # 92161C)	92161-1650	1
SCREW,6X14 (Ref # 92172)	92172-0004	1
CLAMP,U (Ref # 92173)	92173-1224	1