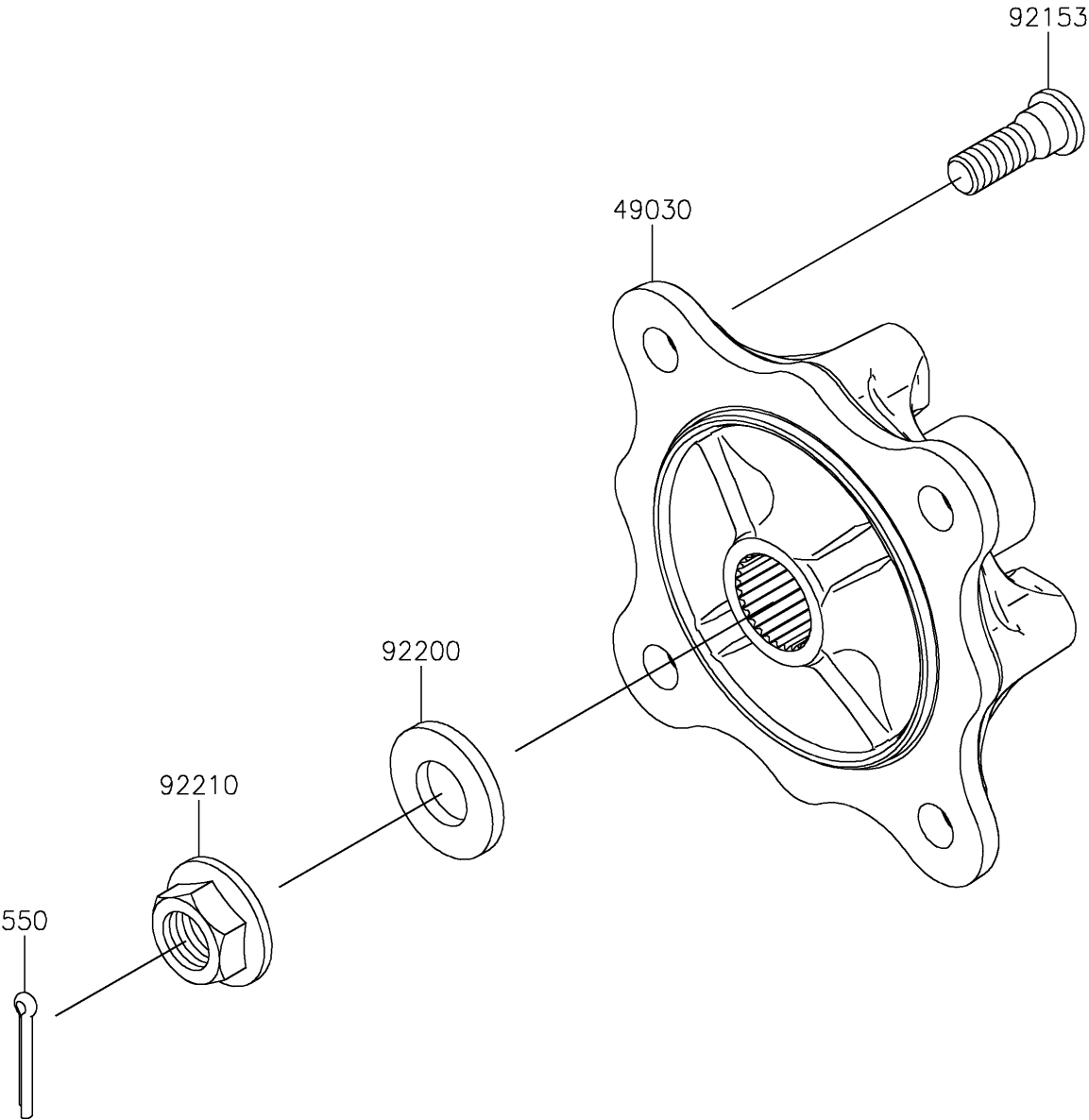


2018 MULE PRO-FXT™ EPS LE PARTS DIAGRAM

Rear Hubs/Brakes

F2240



2018 MULE PRO-FXT™ EPS LE PARTS LIST

Rear Hubs/Brakes

| ITEM NAME | PART NUMBER | QUANTITY |
|----------------------------------|-------------|----------|
| HUB,RR (Ref # 49030) | 49030-0049 | 1 |
| PIN-COTTER,4.0X30 (Ref # 550) | 550AA4030 | 1 |
| BOLT,12MM (Ref # 92153) | 92153-1915 | 1 |
| WASHER,20.3X41X4.5 (Ref # 92200) | 92200-0921 | 1 |
| NUT,FLANGED,20MM (Ref # 92210) | 92210-2093 | 1 |