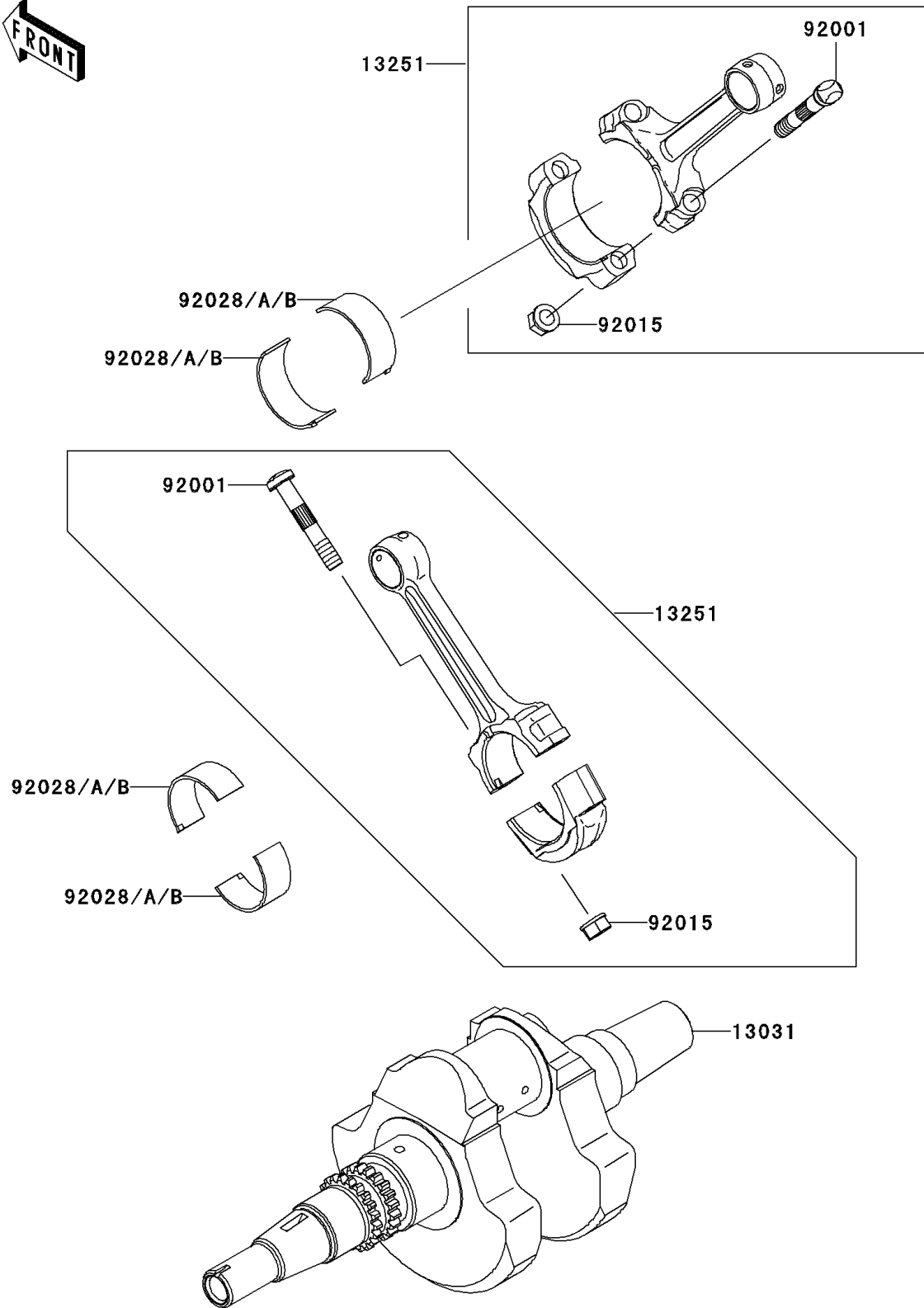


2005 Brute Force® 650 4x4 PARTS DIAGRAM

Crankshaft

E1321



2005 Brute Force® 650 4x4 PARTS LIST

Crankshaft

| ITEM NAME | PART NUMBER | QUANTITY |
|--|-------------|----------|
| CRANKSHAFT-COMP (Ref # 13031) | 13031-1473 | 1 |
| ROD-ASSY-CONNECTING (Ref # 13251) | 13251-1130 | 1 |
| BOLT,CONNECTING ROD (Ref # 92001) | 92001-1980 | 1 |
| NUT,FLANGED,8MM (Ref # 92015) | 92015-1311 | 1 |
| BUSHING,CONNECTING ROD,GREEN (Ref # 92028) | 92028-1961 | 1 |
| BUSHING,CONNECTING ROD,YELLOW (Ref # 92028A) | 92028-1962 | 1 |
| BUSHING,CONNECTING ROD,BROWN (Ref # 92028B) | 92028-1963 | 1 |