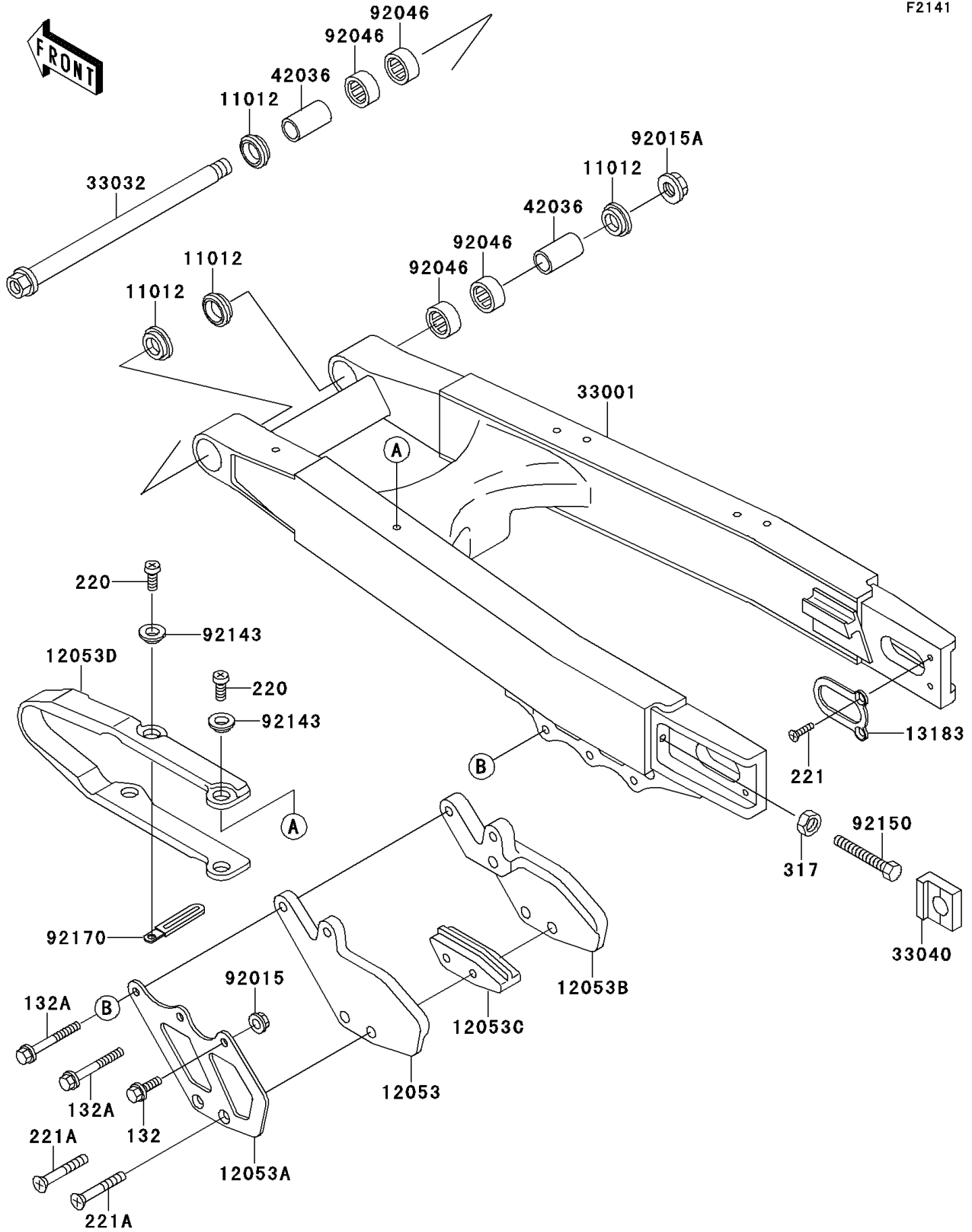


## 1993 KX™250 PARTS DIAGRAM

Swing Arm

F2141



## 1993 KX™250 PARTS LIST

Swing Arm

ITEM NAME	PART NUMBER	QUANTITY
CAP, SWING ARM PIPOT (Ref # 11012)	11012-1790	1
GUIDE-CHAIN, RR, INSIDE (Ref # 12053)	12053-1234	1
GUIDE-CHAIN, RR, OUTSIDE (Ref # 12053A)	12053-1235	1
GUIDE-CHAIN, RR, OUTSIDE (Ref # 12053B)	12053-1236	1
GUIDE-CHAIN, DRIVE, RR, INSIDE (Ref # 12053C)	12053-1270	1
GUIDE-CHAIN, DRIVE, FR (Ref # 12053D)	12053-1278	1
PLATE (Ref # 13183)	13183-1867	1
BOLT-FLANGED-SMALL (Ref # 132)	132G0616	1
BOLT-FLANGED-SMALL (Ref # 132A)	132G0635	1
SCREW-PAN-CROS, 6X10 (Ref # 220)	220B0610	1
SCREW-CSK-CROS (Ref # 221)	221B0510	1
SCREW-CSK-CROS, 6X45 (Ref # 221A)	221B0645	1
NUT-HEX-SMALL, 8MM (Ref # 317)	317G0800	1
ARM-COMP-SWING, SILVER NO.25 (Ref # 33001)	33001-1406-CE	1
SHAFT-SWING ARM (Ref # 33032)	33032-1167	1
ADJUSTER-CHAIN (Ref # 33040)	33040-1129	1
SLEEVE, SWING ARM, L=43 (Ref # 42036)	42036-1289	1
NUT, FLANGED, 6MM (Ref # 92015)	92015-1078	1
NUT, FLANGED, 16MM (Ref # 92015A)	92015-1316	1
BEARING-NEEDLE, HK2212/8A (Ref # 92046)	92046-1214	1
COLLAR (Ref # 92143)	92143-1156	1
BOLT, 8X55 (Ref # 92150)	92150-1385	1
CLAMP, CARBURETOR HOSE (Ref # 92170)	92170-1113	1