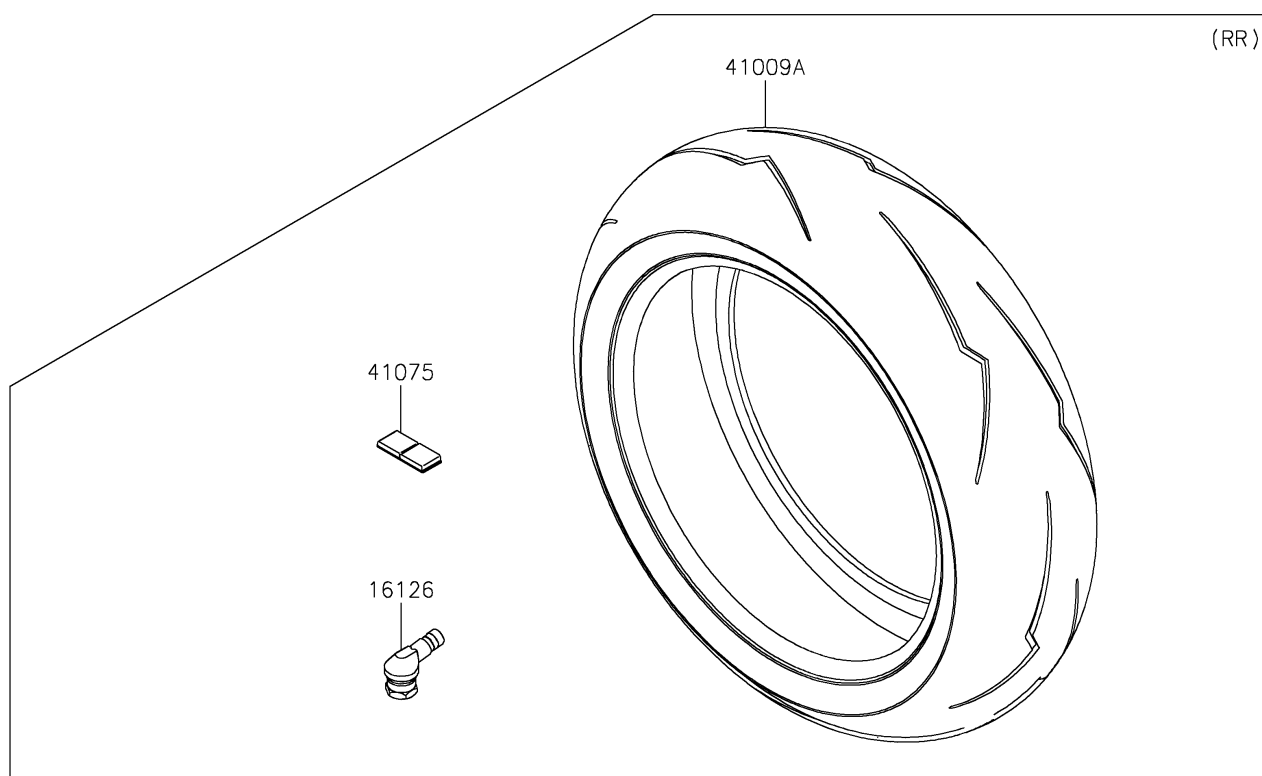
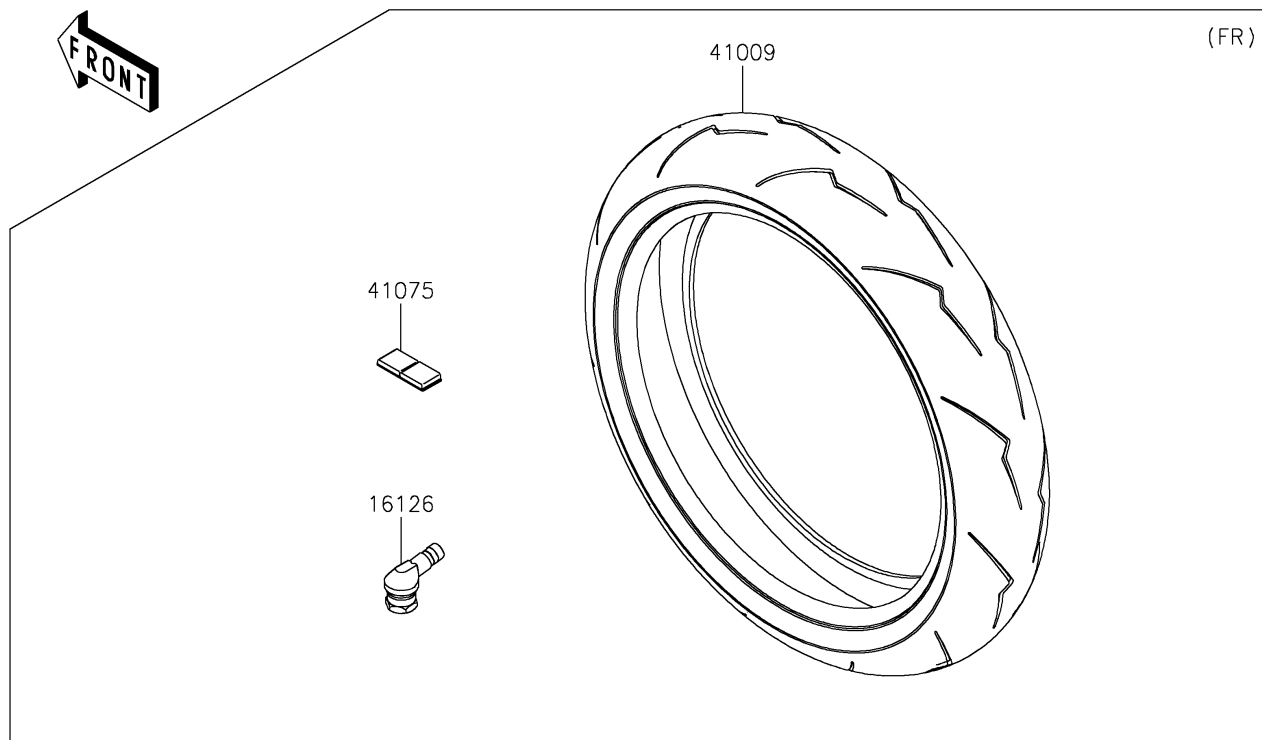


2019 PARTS DIAGRAM

Tires

F2210



2019 PARTS LIST

Tires

ITEM NAME	PART NUMBER	QUANTITY
VALVE (Ref # 16126)	16126-0735	1
TIRE,FR,120/70ZR17(58W),DSC SP (Ref # 41009)	41009-0815	1
TIRE,RR,190/55ZR17(75W),DSC SP (Ref # 41009A)	41009-0816	1
BALANCER-WHEEL,10G (Ref # 41075)	41075-0022	1