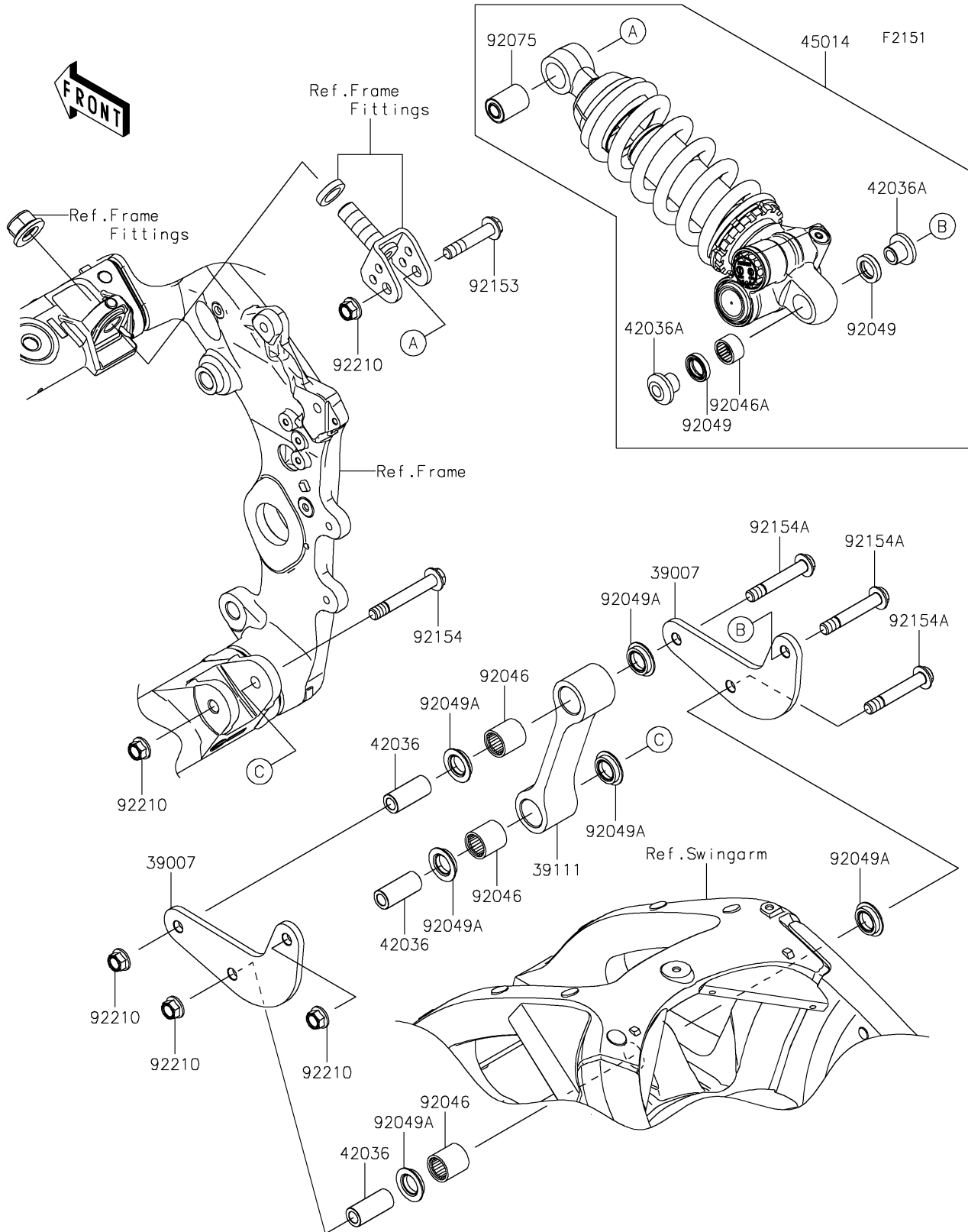


2019 PARTS DIAGRAM

Suspension/Shock Absorber



2019 PARTS LIST

Suspension/Shock Absorber

ITEM NAME	PART NUMBER	QUANTITY
ARM-SUSP (Ref # 39007)	39007-0395	1
ROD-TIE,SUSPENSION (Ref # 39111)	39111-0337	1
SLEEVE,10.1X17X39 (Ref # 42036)	42036-0075	1
SLEEVE (Ref # 42036A)	42036-0789	1
SHOCKABSORBER (Ref # 45014)	45014-0636	1
BEARING-NEEDLE,SFYZM172425 (Ref # 92046)	92046-1273	1
BEARING-NEEDLE,7E-HVS16X22X12 (Ref # 92046A)	92046-1301	1
SEAL-OIL (Ref # 92049)	92049-0792	1
SEAL-OIL,MHA17245.7F (Ref # 92049A)	92049-1223	1
DAMPER,SHOCKABSORBER (Ref # 92075)	92075-1426	1
BOLT,FLANGED,10X51 (Ref # 92153)	92153-1545	1
BOLT,FLANGED,10X71 (Ref # 92154)	92154-0384	1
BOLT,FLANGED,10X63 (Ref # 92154A)	92154-0398	1
NUT,LOCK,FLANGED,10MM (Ref # 92210)	92210-1139	1