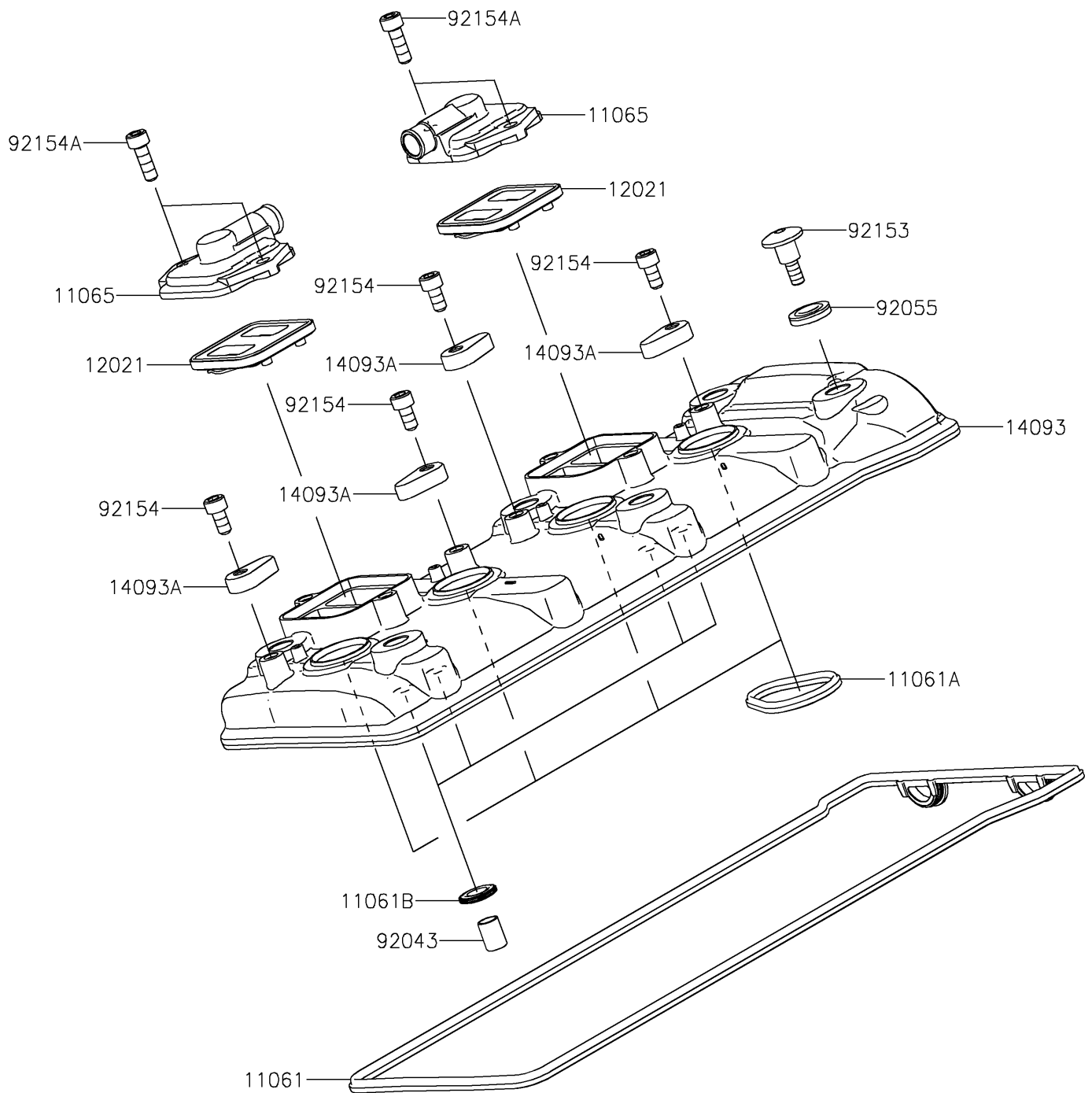


2019 PARTS DIAGRAM

Cylinder Head Cover

E1112



2019 PARTS LIST

Cylinder Head Cover

ITEM NAME	PART NUMBER	QUANTITY
GASKET,HEAD COVER (Ref # 11061)	11061-1290	1
GASKET,PLUG HOLE (Ref # 11061A)	11061-1291	1
GASKET (Ref # 11061B)	11061-1292	1
CAP (Ref # 11065)	11065-0360	1
VALVE-ASSY-REED (Ref # 12021)	12021-0021	1
COVER,HEAD (Ref # 14093)	14093-0760	1
COVER (Ref # 14093A)	14093-0770	1
PIN,DOWEL,10X14 (Ref # 92043)	92043-1037	1
RING-O (Ref # 92055)	92055-0785	1
BOLT,SOCKET,6X22.5 (Ref # 92153)	92153-1779	1
BOLT,SOCKET,6X12 (Ref # 92154)	92154-1820	1
BOLT,SOCKET,6X18 (Ref # 92154A)	92154-1832	1