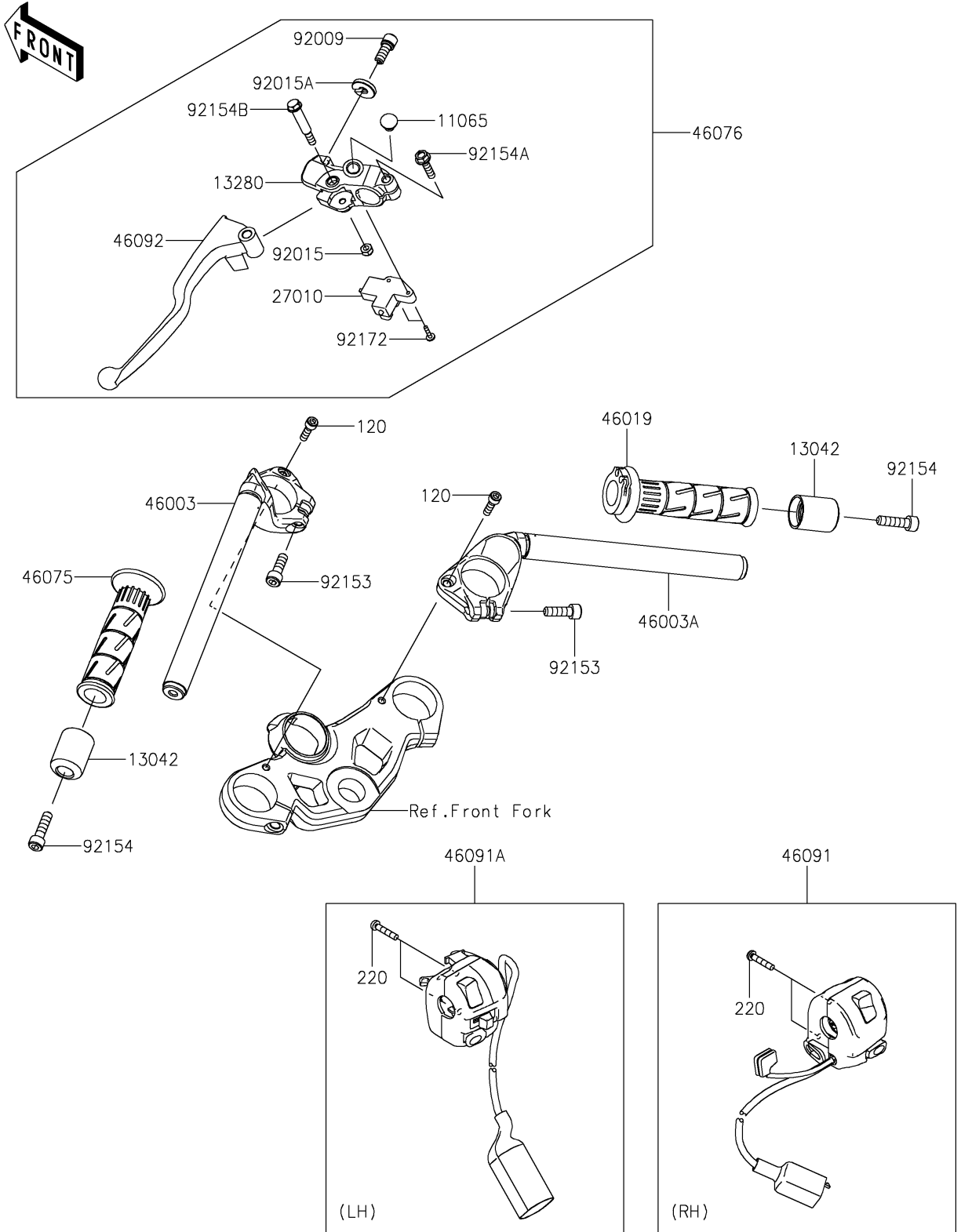


2018 NINJA® 400 PARTS DIAGRAM

Handlebar

F2310



2018 NINJA® 400 PARTS LIST

Handlebar

ITEM NAME	PART NUMBER	QUANTITY
CAP,DUMMY (Ref # 11065)	11065-0921	1
BOLT-SOCKET,6X22 (Ref # 120)	120CC0622	1
WEIGHT,HANDLE (Ref # 13042)	13042-5001	1
HOLDER,CLUTCH LEVER (Ref # 13280)	13280-0847	1
SCREW-PAN-CROS,5X25 (Ref # 220)	220AB0525	1
SWITCH,CLUTCH (Ref # 27010)	27010-0855	1
HANDLE,LH (Ref # 46003)	46003-0690	1
HANDLE,RH (Ref # 46003A)	46003-0691	1
GRIP-ASSY,THROTTLE (Ref # 46019)	46019-0060	1
GRIP,HANDLE,LH (Ref # 46075)	46075-0564	1
LEVER-ASSY-GRIP,CLUTCH (Ref # 46076)	46076-0141	1
HOUSING-ASSY-CONTROL,RH (Ref # 46091)	46091-0371	1
HOUSING-ASSY-CONTROL,LH (Ref # 46091A)	46091-0372	1
LEVER-GRIP,CLUTCH (Ref # 46092)	46092-0562	1
SCREW,CABLE ADJUST,8MM,BLACK (Ref # 92009)	92009-1134	1
NUT,LOCK,6MM,BLACK (Ref # 92015)	92015-1191	1
NUT,CABLE ADJUST LOCK,8MM,BLK (Ref # 92015A)	92015-1197	1
BOLT,SOCKET,8X25 (Ref # 92153)	92153-1625	1
BOLT,SOCKET,8X30 (Ref # 92154)	92154-0502	1
BOLT (Ref # 92154A)	92154-1827	1
BOLT,FLANGED,6X44 (Ref # 92154B)	92154-3835	1
SCREW,3X16 (Ref # 92172)	92172-0183	1