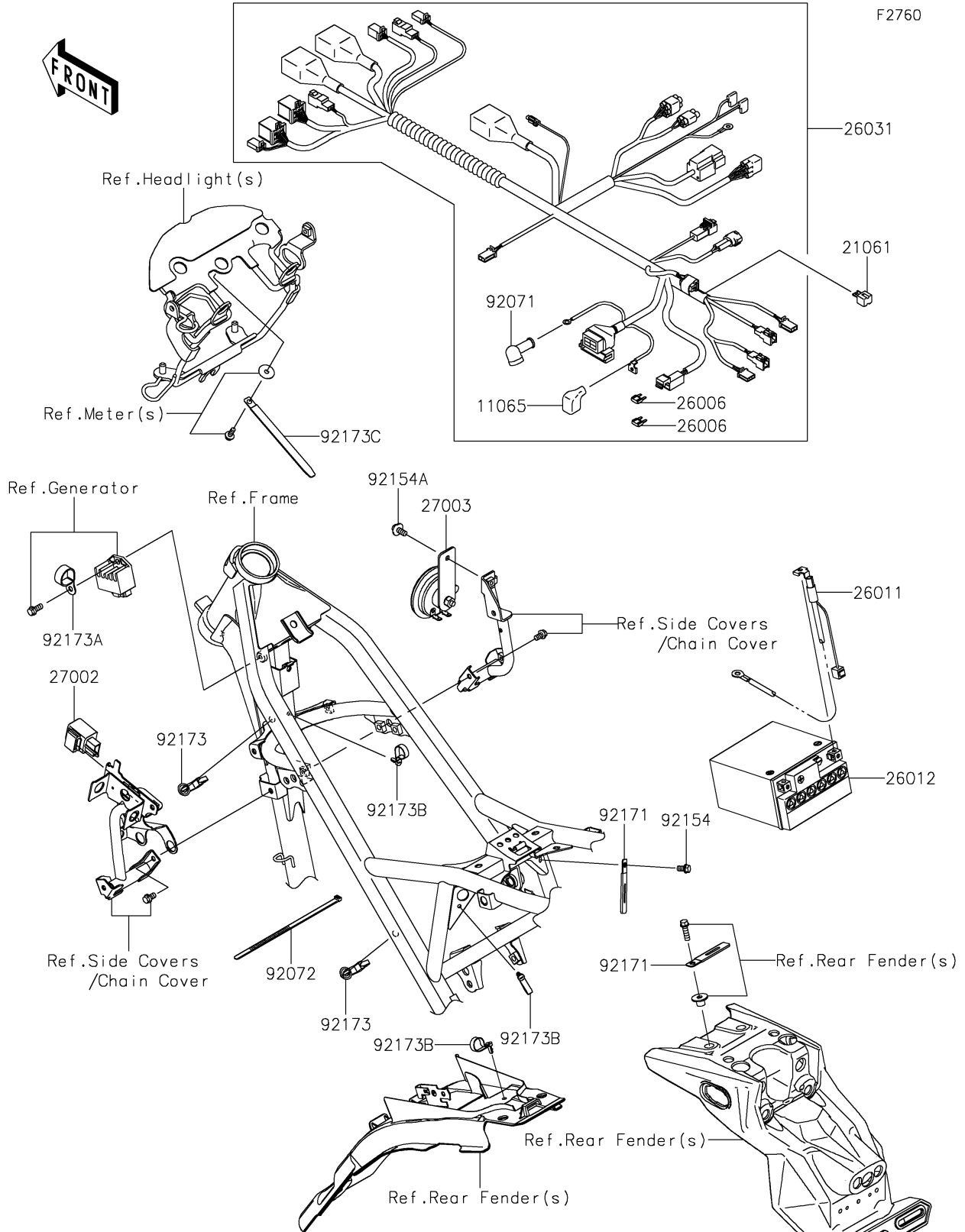


2018 PARTS DIAGRAM

Chassis Electrical Equipment



2018 PARTS LIST

Chassis Electrical Equipment

ITEM NAME	PART NUMBER	QUANTITY
CAP (Ref # 11065)	11065-0237	1
RECTIFIER (Ref # 21061)	21061-1003	1
FUSE,MINI BLADE,15A,BLUE (Ref # 26006)	26006-0001	1
WIRE-LEAD,BATTERY(-) (Ref # 26011)	26011-0154	1
BATTERY,YTX7L-BS,12V 6AH (Ref # 26012)	26012-0669	1
HARNESS,MAIN (Ref # 26031)	26031-1836	1
RELAY-ASSY (Ref # 27002)	27002-0036	1
HORN (Ref # 27003)	27003-0134	1
GROMMET (Ref # 92071)	92071-0707	1
BAND,L=202 (Ref # 92072)	92072-1195	1
BOLT,FLANGED,6X10 (Ref # 92154)	92154-0459	1
BOLT,FLANGED,6X14 (Ref # 92154A)	92154-1231	1
CLAMP,WIRING HARNESS,L=60 (Ref # 92171)	92171-1425	1
CLAMP (Ref # 92173)	92173-0105	1
CLAMP,THROTTLE CABLE (Ref # 92173A)	92173-1069	1
CLAMP,SPEED,L=58 (Ref # 92173B)	92173-1077	1
CLAMP,L=150 (Ref # 92173C)	92173-1078	1