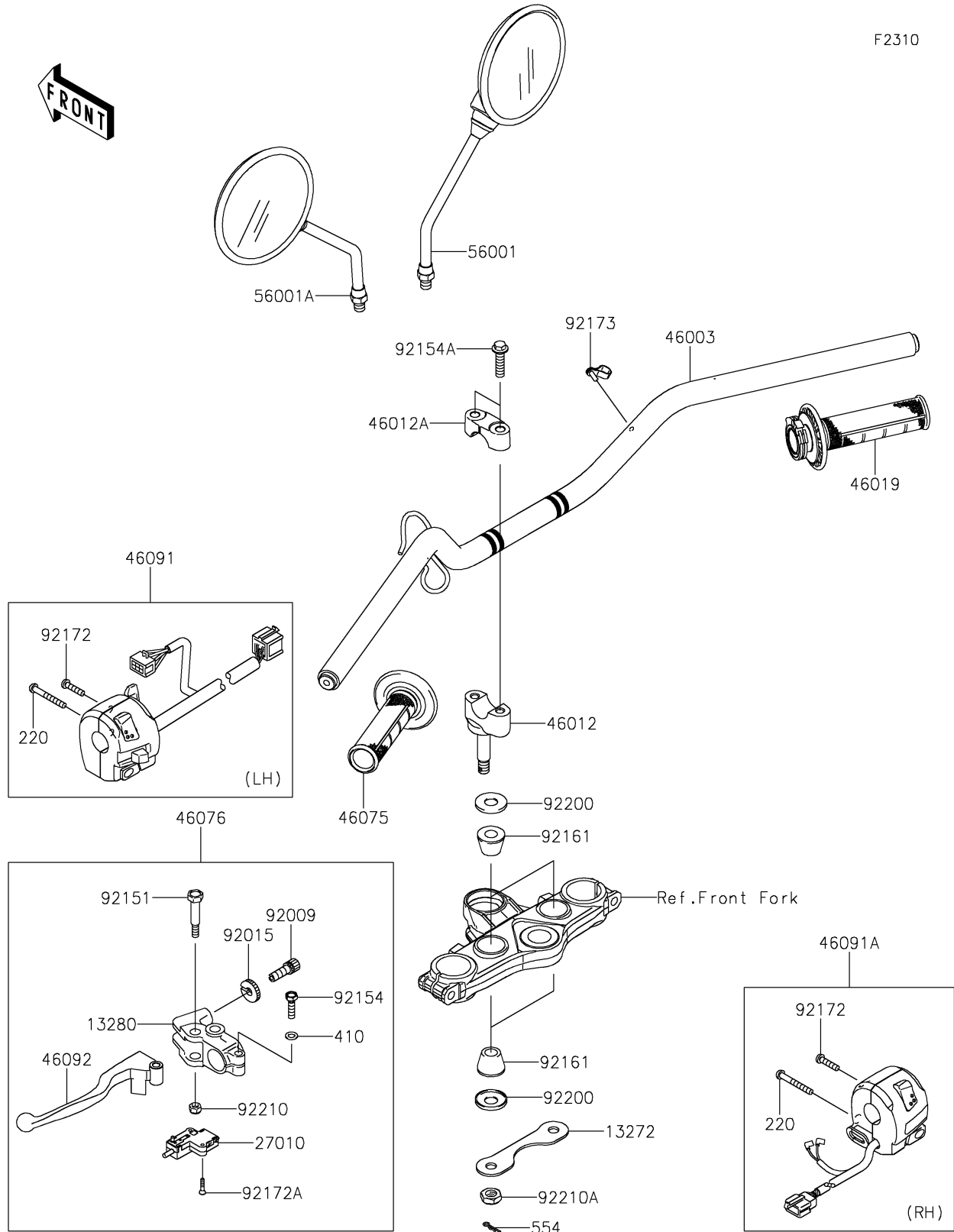


2018 PARTS DIAGRAM

Handlebar

F2310



2018 PARTS LIST

Handlebar

ITEM NAME	PART NUMBER	QUANTITY
PLATE (Ref # 13272)	13272-0795	1
HOLDER,CLUTCH LEVER (Ref # 13280)	13280-0105	1
SCREW-PAN-CROS,5X40 (Ref # 220)	220AB0540	1
SWITCH,CLUTCH (Ref # 27010)	27010-0729	1
WASHER-PLAIN-SMALL,6MM (Ref # 410)	410AB0600	1
HANDLE,P.SILVER (Ref # 46003)	46003-0667-458	1
HOLDER-HANDLE,LWR,P.SILVER (Ref # 46012)	46012-0075-458	1
HOLDER-HANDLE,UPP,P.SILVER (Ref # 46012A)	46012-0380-458	1
GRIP-ASSY,THROTTLE (Ref # 46019)	46019-0026	1
GRIP,LH (Ref # 46075)	46075-0587	1
LEVER-ASSY-GRIP,CLUTCH (Ref # 46076)	46076-0148	1
HOUSING-ASSY-CONTROL,LH (Ref # 46091)	46091-0306	1
HOUSING-ASSY-CONTROL,RH (Ref # 46091A)	46091-0310	1
LEVER-GRIP,CLUTCH (Ref # 46092)	46092-0050	1
PIN-SNAP (Ref # 554)	554DA0800	1
MIRROR-ASSY,RH (Ref # 56001)	56001-0166	1
MIRROR-ASSY,LH (Ref # 56001A)	56001-0169	1
SCREW,CABLE ADJUST,8MM,BLACK (Ref # 92009)	92009-1134	1
NUT,CABLE ADJUST LOCK,8MM,BLK (Ref # 92015)	92015-1197	1
BOLT,LEVER SET (Ref # 92151)	92151-1986	1
BOLT,UPSET,6X22 (Ref # 92154)	92154-1422	1
BOLT,FLANGED,8X30 (Ref # 92154A)	92154-3762	1
DAMPER,12X26X19 (Ref # 92161)	92161-2116	1
SCREW-PAN-CROS,5X22 (Ref # 92172)	92172-0469	1
SCREW-CSK-CROS,3X16 (Ref # 92172A)	92172-1187	1
CLAMP,SPEED,L=58 (Ref # 92173)	92173-1077	1
WASHER,12.5X27.6X1.2 (Ref # 92200)	92200-0872	1
NUT,LOCK,6MM (Ref # 92210)	92210-1551	1
NUT,LOCK,10MM (Ref # 92210A)	92210-1672	1