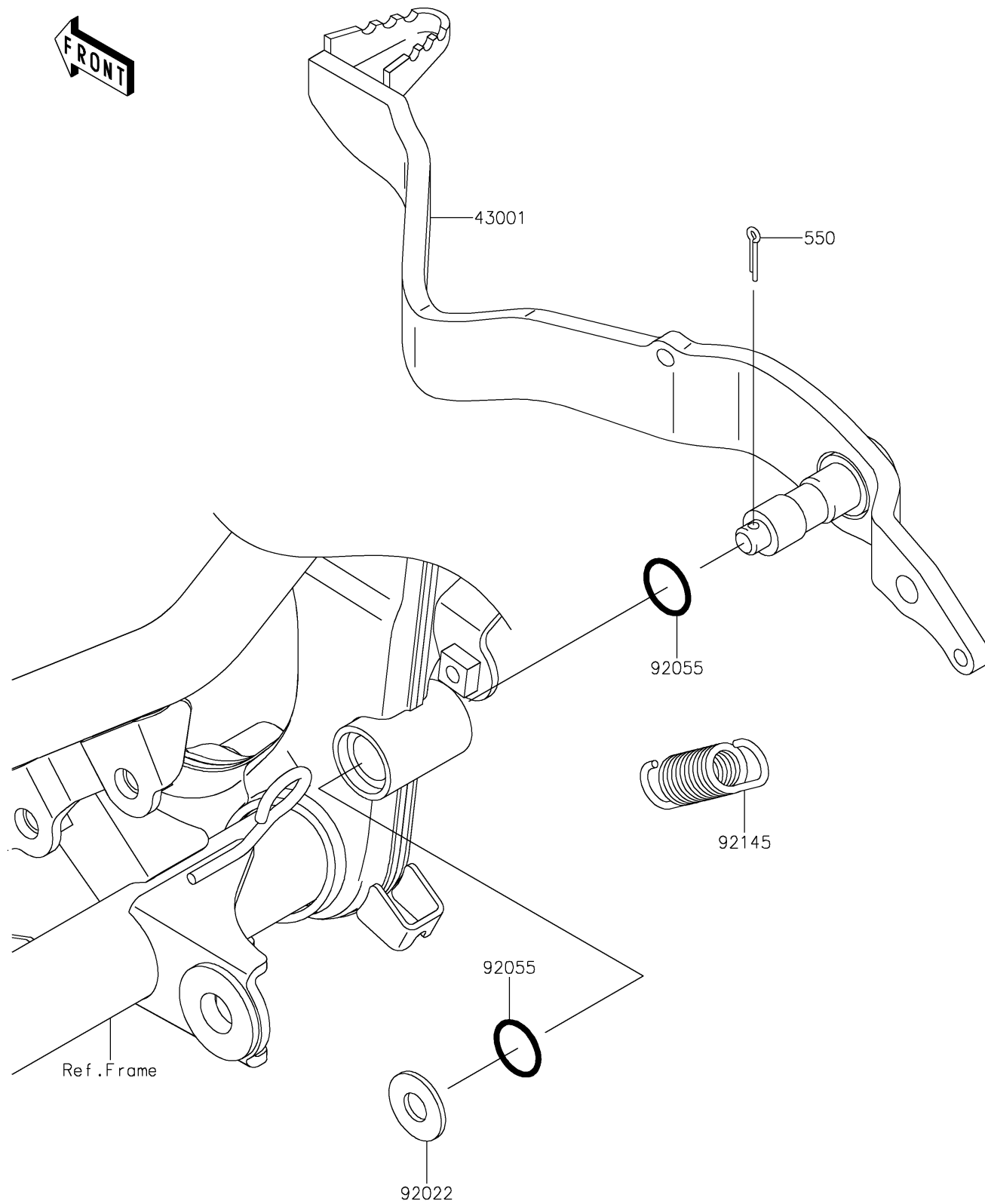


2018 PARTS DIAGRAM

Brake Pedal

F2260



2018 PARTS LIST

Brake Pedal

ITEM NAME	PART NUMBER	QUANTITY
LEVER-BRAKE (Ref # 43001)	43001-0131	1
PIN-COTTER,2.5X25 (Ref # 550)	550AA2525	1
WASHER,8.5X20X1.6 (Ref # 92022)	92022-1561	1
RING-O,13.1X2.7 (Ref # 92055)	92055-0768	1
SPRING,BRAKE PEDAL RETURN (Ref # 92145)	92145-0741	1