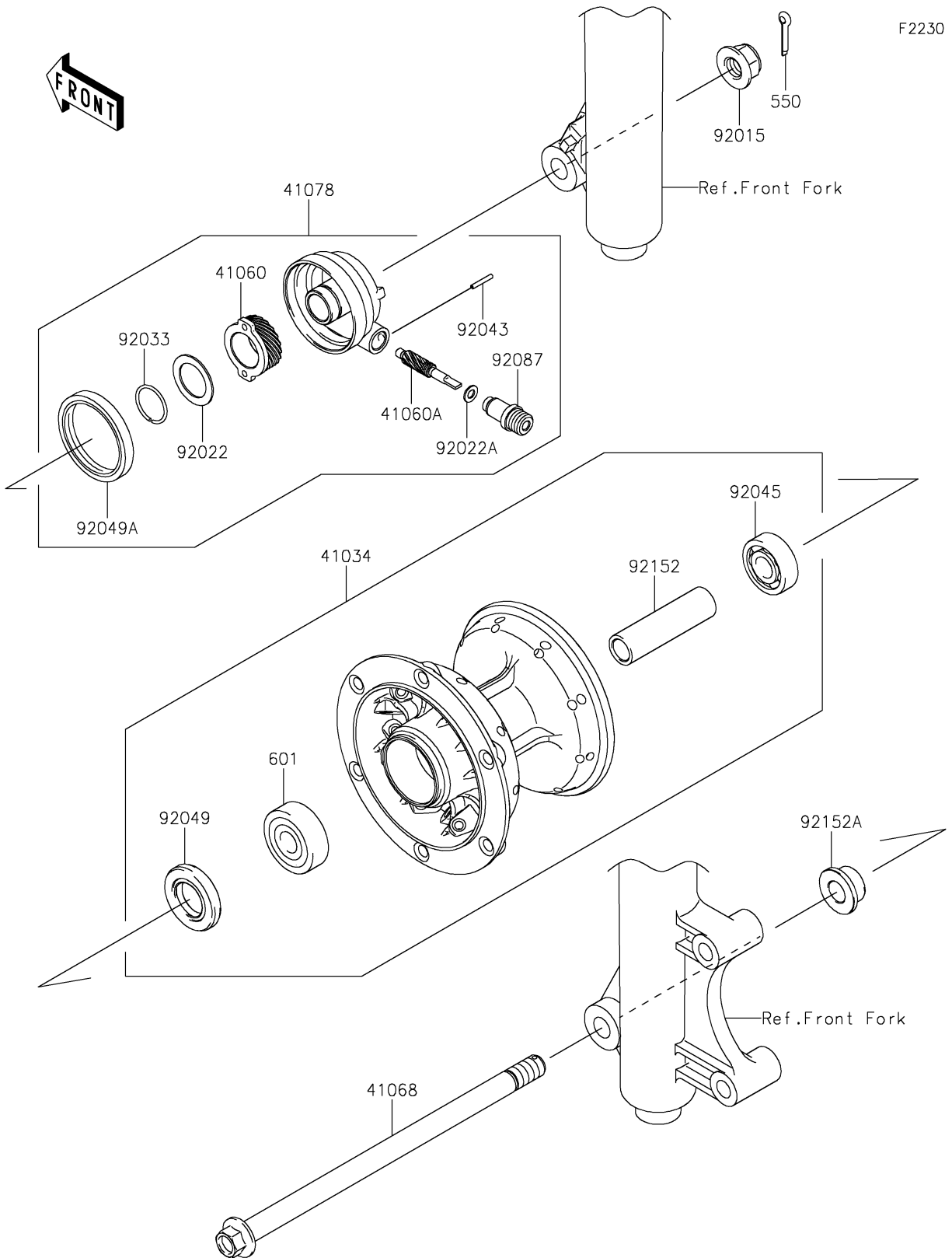


## 2018 PARTS DIAGRAM

Front Hub



## 2018 PARTS LIST

Front Hub

ITEM NAME	PART NUMBER	QUANTITY
DRUM-ASSY,FR (Ref # 41034)	41034-0595	1
GEAR-METER SCREW,DRIVE,24T (Ref # 41060)	41060-0012	1
GEAR-METER SCREW,PINION,8T (Ref # 41060A)	41060-0013	1
AXLE,FR,12X226 (Ref # 41068)	41068-0582	1
CASE-ASSY-METER GEAR (Ref # 41078)	41078-0016	1
PIN-COTTER,2.5X20 (Ref # 550)	550AA2520	1
BEARING-BALL,#6201UUC3 (Ref # 601)	601B6301UU	1
NUT,LOCK,FLANGED,12MM (Ref # 92015)	92015-1433	1
WASHER,20X29X1.0 (Ref # 92022)	92022-1510	1
WASHER,5X9.5X0.8 (Ref # 92022A)	92022-1511	1
RING-SNAP,19MM (Ref # 92033)	92033-1160	1
PIN,SPRING,2X14 (Ref # 92043)	92043-1220	1
BEARING-BALL,601B6201UU (Ref # 92045)	92045-0747	1
SEAL-OIL,20X37X6.5 (Ref # 92049)	92049-0113	1
SEAL-OIL,42X50X6 (Ref # 92049A)	92049-0727	1
BUSHING-METER GEAR (Ref # 92087)	92087-1051	1
COLLAR,12.2X17.3X62.5 (Ref # 92152)	92152-0709	1
COLLAR (Ref # 92152A)	92152-0736	1