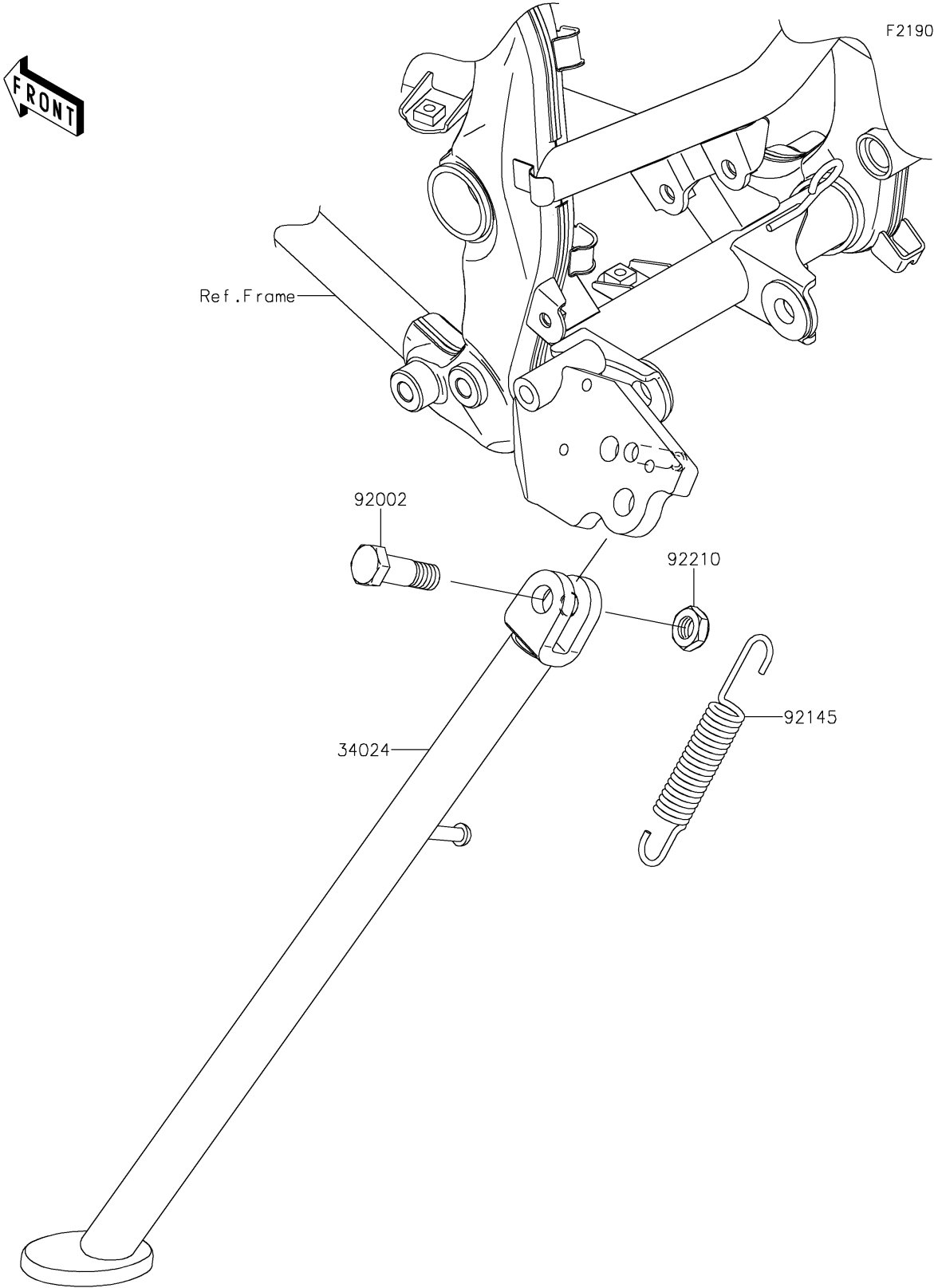


## 2018 PARTS DIAGRAM

Stand(s)



## 2018 PARTS LIST

Stand(s)

ITEM NAME	PART NUMBER	QUANTITY
STAND-SIDE,P.SILVER (Ref # 34024)	34024-0121-458	1
BOLT,SIDE STAND (Ref # 92002)	92002-1813	1
SPRING (Ref # 92145)	92145-1588	1
NUT,LOCK,10MM (Ref # 92210)	92210-1672	1