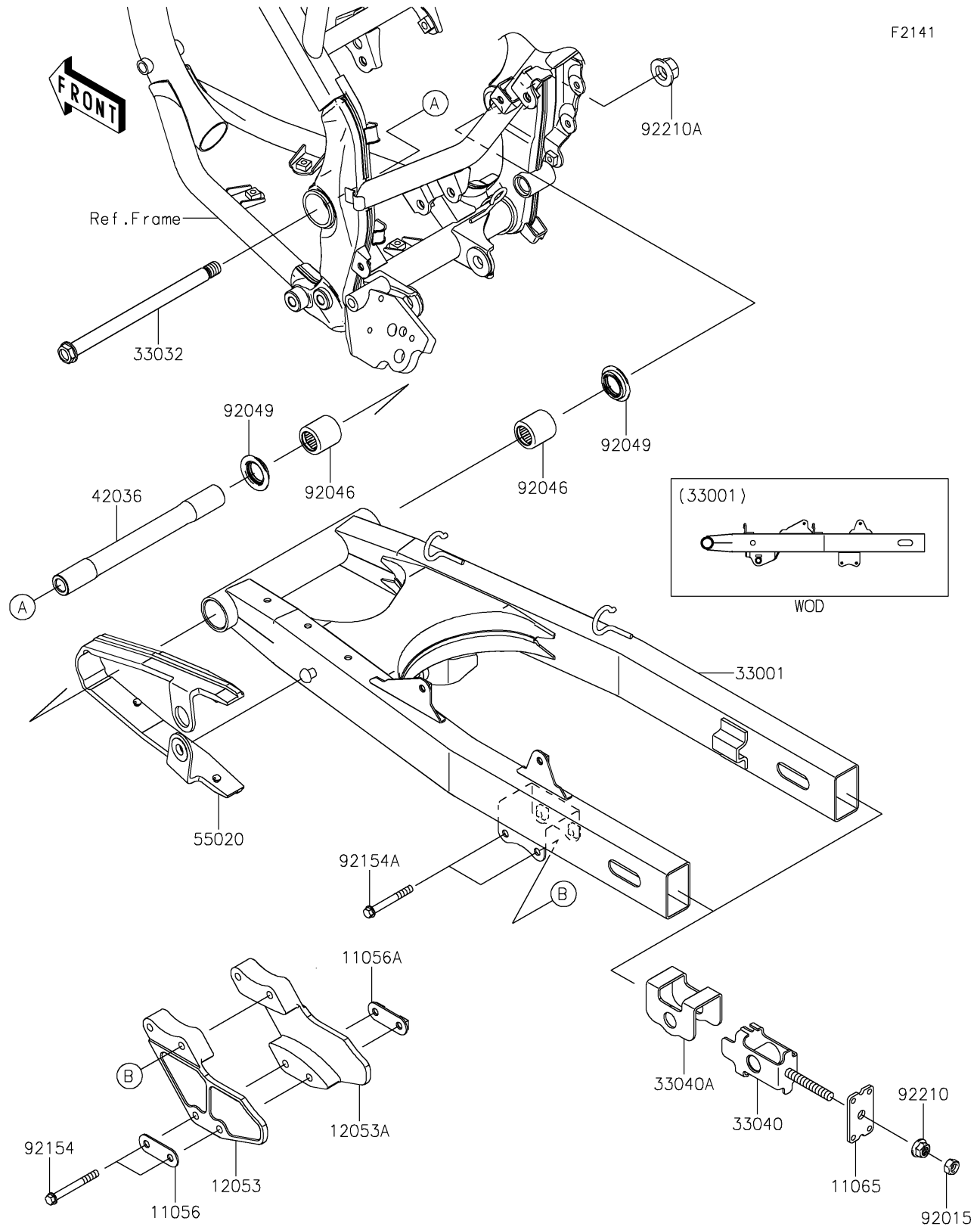


2018 PARTS DIAGRAM

Swingarm



2018 PARTS LIST

Swingarm

ITEM NAME	PART NUMBER	QUANTITY
BRACKET (Ref # 11056)	11056-2395	1
BRACKET,WITH NUT (Ref # 11056A)	11056-2396	1
CAP (Ref # 11065)	11065-0805	1
GUIDE-CHAIN,LH (Ref # 12053)	12053-0200	1
GUIDE-CHAIN,RH (Ref # 12053A)	12053-0201	1
ARM-COMP-SWING,P.SILVER (Ref # 33001)	33001-0644-458	1
SHAFT-SWING ARM,14X227 (Ref # 33032)	33032-0053	1
ADJUSTER-CHAIN (Ref # 33040)	33040-0019	1
ADJUSTER-CHAIN,OUTSIDE (Ref # 33040A)	33040-1162	1
SLEEVE,PIVOT,15.1X20X197.8 (Ref # 42036)	42036-0070	1
GUARD (Ref # 55020)	55020-0858	1
NUT,8MM (Ref # 92015)	92015-1364	1
BEARING-NEEDLE,BM202726 (Ref # 92046)	92046-1110	1
SEAL-OIL,ARM (Ref # 92049)	92049-1109	1
BOLT,FLANGED,6X55 (Ref # 92154)	92154-1190	1
BOLT,FLANGED,6X50 (Ref # 92154A)	92154-1193	1
NUT,8MM (Ref # 92210)	92210-0773	1
NUT (Ref # 92210A)	92210-0855	1