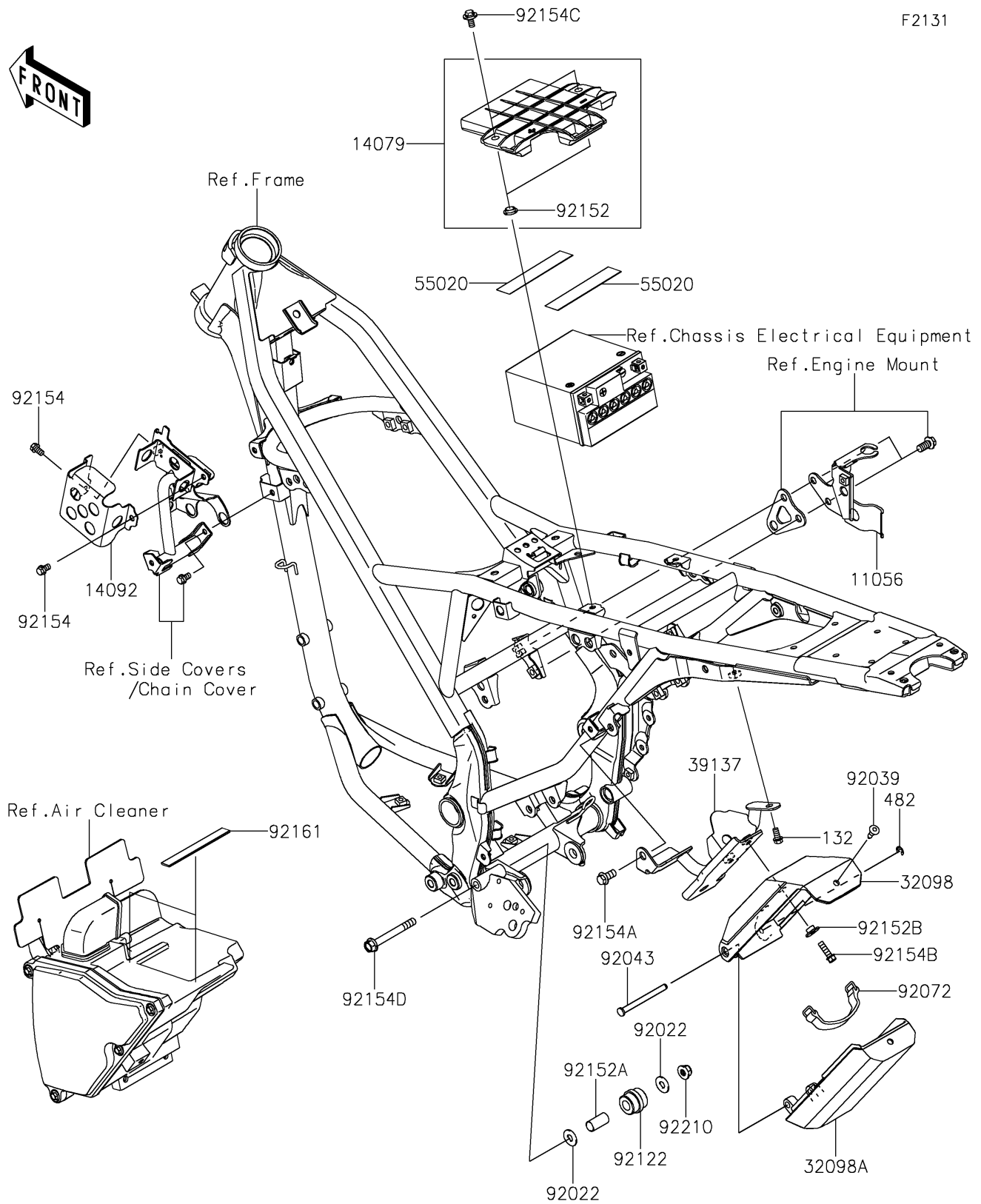


2018 PARTS DIAGRAM

Frame Fittings



2018 PARTS LIST

Frame Fittings

ITEM NAME	PART NUMBER	QUANTITY
BRACKET,RESERVOIR (Ref # 11056)	11056-7776	1
BOLT-FLANGED-SMALL,6X12 (Ref # 132)	132BA0612	1
HOLDER-ASSY,BATTERY (Ref # 14079)	14079-0031	1
COVER,IGNITER (Ref # 14092)	14092-0035	1
CASE-TOOL,BASE (Ref # 32098)	32098-0022	1
CASE-TOOL,COVER (Ref # 32098A)	32098-0024	1
STAY-COMP,TOOL CASE (Ref # 39137)	39137-0668	1
CIRCLIP-TYPE-E (Ref # 482)	482EA5000	1
GUARD (Ref # 55020)	55020-0594	1
WASHER,8.5X20X1.6 (Ref # 92022)	92022-1561	1
RIVET (Ref # 92039)	92039-0709	1
PIN (Ref # 92043)	92043-0834	1
BAND (Ref # 92072)	92072-0738	1
ROLLER,GUIDE CHAIN (Ref # 92122)	92122-0041	1
COLLAR,8.8X11.2X4 (Ref # 92152)	92152-0909	1
COLLAR,9.5X12.5X25 (Ref # 92152A)	92152-1881	1
COLLAR,6.8X10X6.6 (Ref # 92152B)	92152-1978	1
BOLT,FLANGED,6X10 (Ref # 92154)	92154-0459	1
BOLT,FLANGED,8X16 (Ref # 92154A)	92154-0462	1
BOLT,FLANGED,6X16 (Ref # 92154B)	92154-1157	1
BOLT,FLANGED,6X14 (Ref # 92154C)	92154-1231	1
BOLT,FLANGED,8X80 (Ref # 92154D)	92154-1355	1
DAMPER (Ref # 92161)	92161-0838	1
NUT,LOCK,FLANGED,8MM (Ref # 92210)	92210-0140	1