

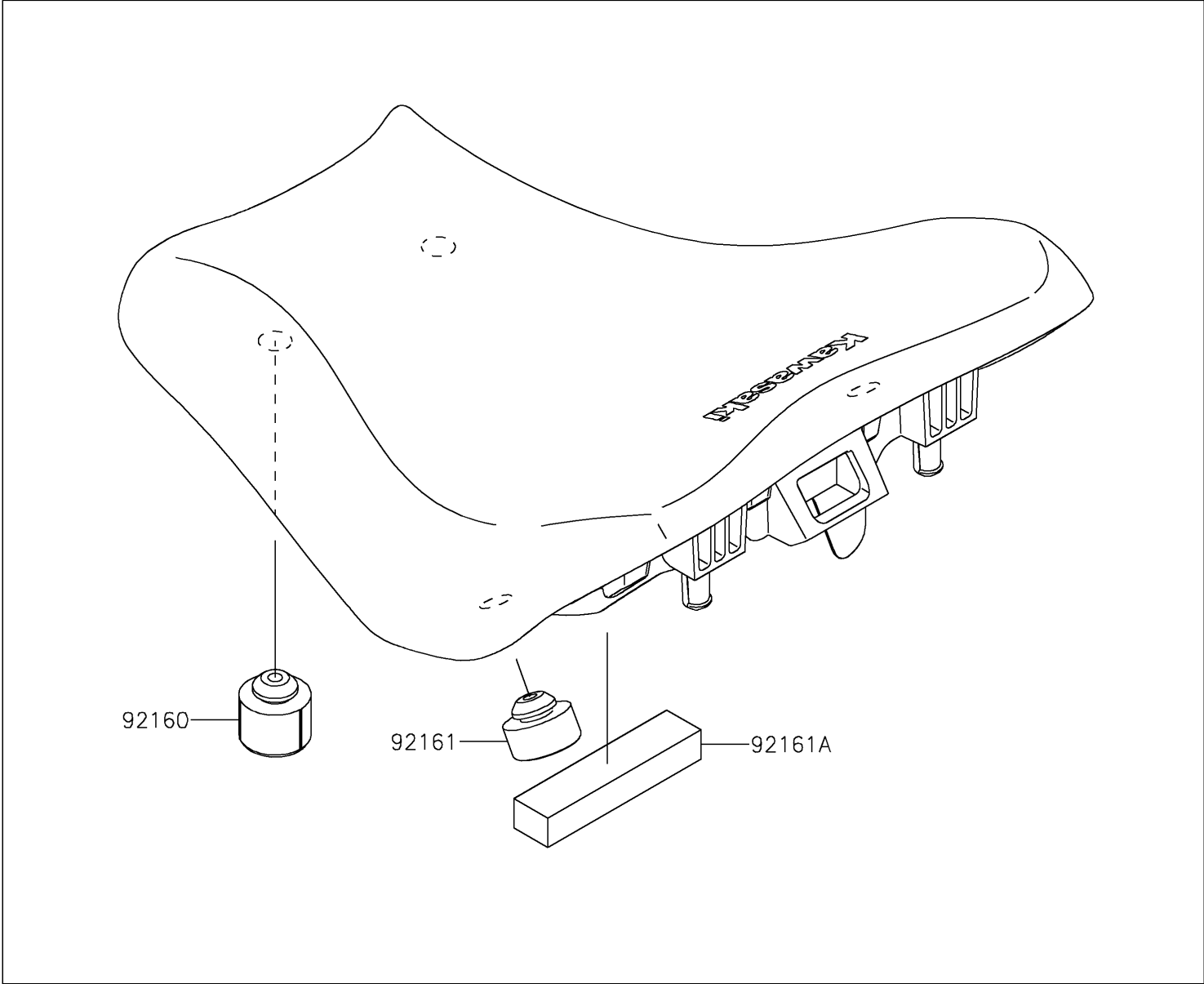
2018 Z900 PARTS DIAGRAM

Accessory(High Seat)

F2910E



99994



92160

92161

92161A

2018 Z900 PARTS LIST

Accessory(High Seat)

ITEM NAME	PART NUMBER	QUANTITY
DAMPER (Ref # 92160)	92160-1513	1
DAMPER SEAT (Ref # 92161)	92161-0930	1
DAMPER,20X90X15 (Ref # 92161A)	92161-1867	1
KIT-ACCESSORY,HIGH SEAT (Ref # 99994)	99994-0931	1