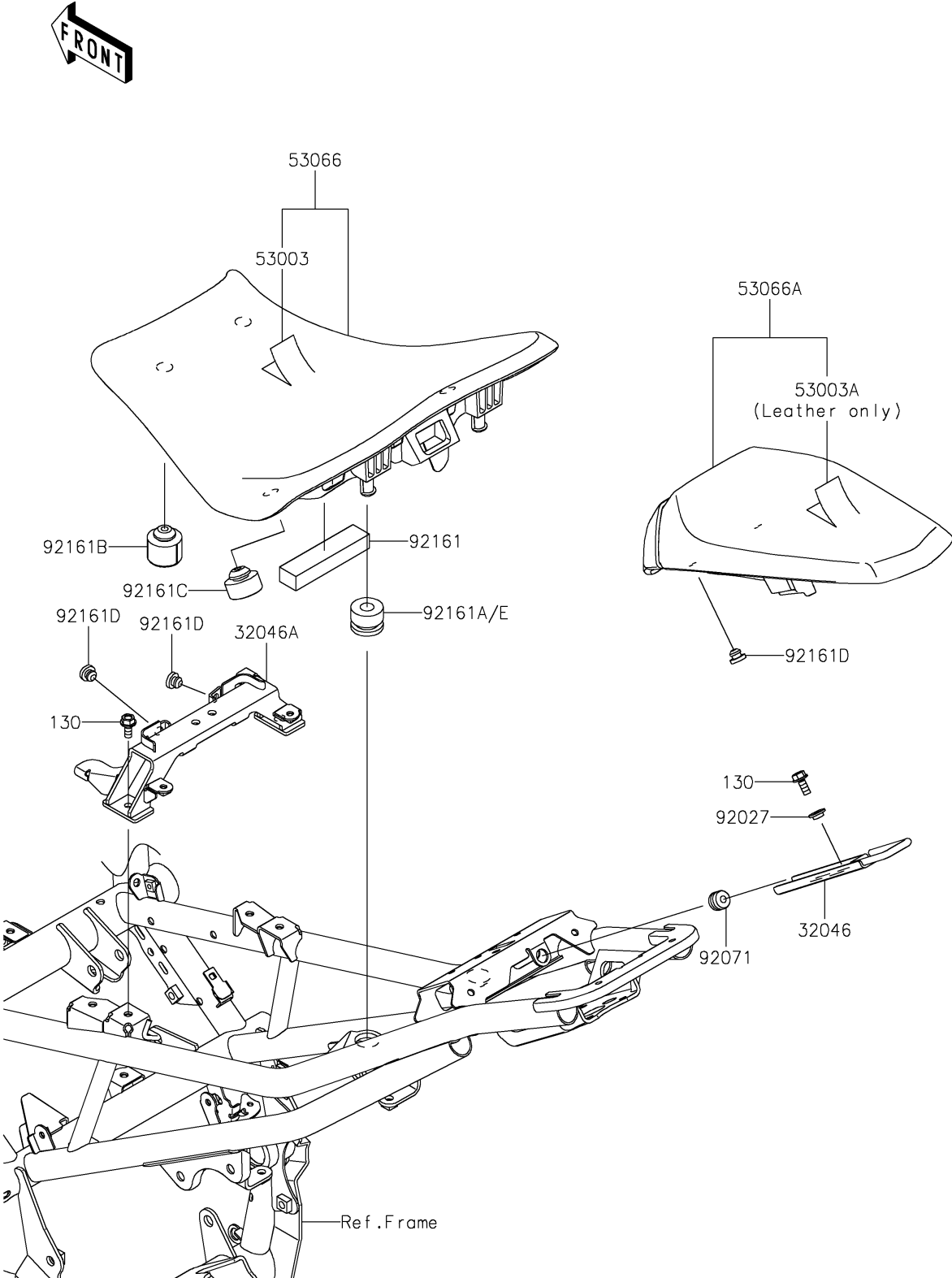


2018 Z900 PARTS DIAGRAM

Seat

F2510



2018 Z900 PARTS LIST

Seat

ITEM NAME	PART NUMBER	QUANTITY
BOLT-FLANGED,6X14 (Ref # 130)	130CA0614	1
BRACKET-SEAT,FR LOCK (Ref # 32046)	32046-0401	1
BRACKET-SEAT,FR (Ref # 32046A)	32046-0418	1
LEATHER,FR SEAT,BLACK (Ref # 53003)	53003-0432-MA	1
LEATHER,RR SEAT,BLACK (Ref # 53003A)	53003-0433-MA	1
SEAT-ASSY,FR,BLACK (Ref # 53066)	53066-0581-MA	1
SEAT-ASSY,RR,BLACK+BLK (Ref # 53066A)	53066-0582-12Y	1
COLLAR,L=4.6 (Ref # 92027)	92027-1168	1
GROMMET (Ref # 92071)	92071-0038	1
DAMPER,20X90X15 (Ref # 92161)	92161-1867	1
DAMPER,12X28X21 (Ref # 92161A)	92161-1913	1
DAMPER,14X30X22 (Ref # 92161B)	92161-1969	1
DAMPER,14X30X14.5 (Ref # 92161C)	92161-1970	1
DAMPER (Ref # 92161D)	92161-1971	1