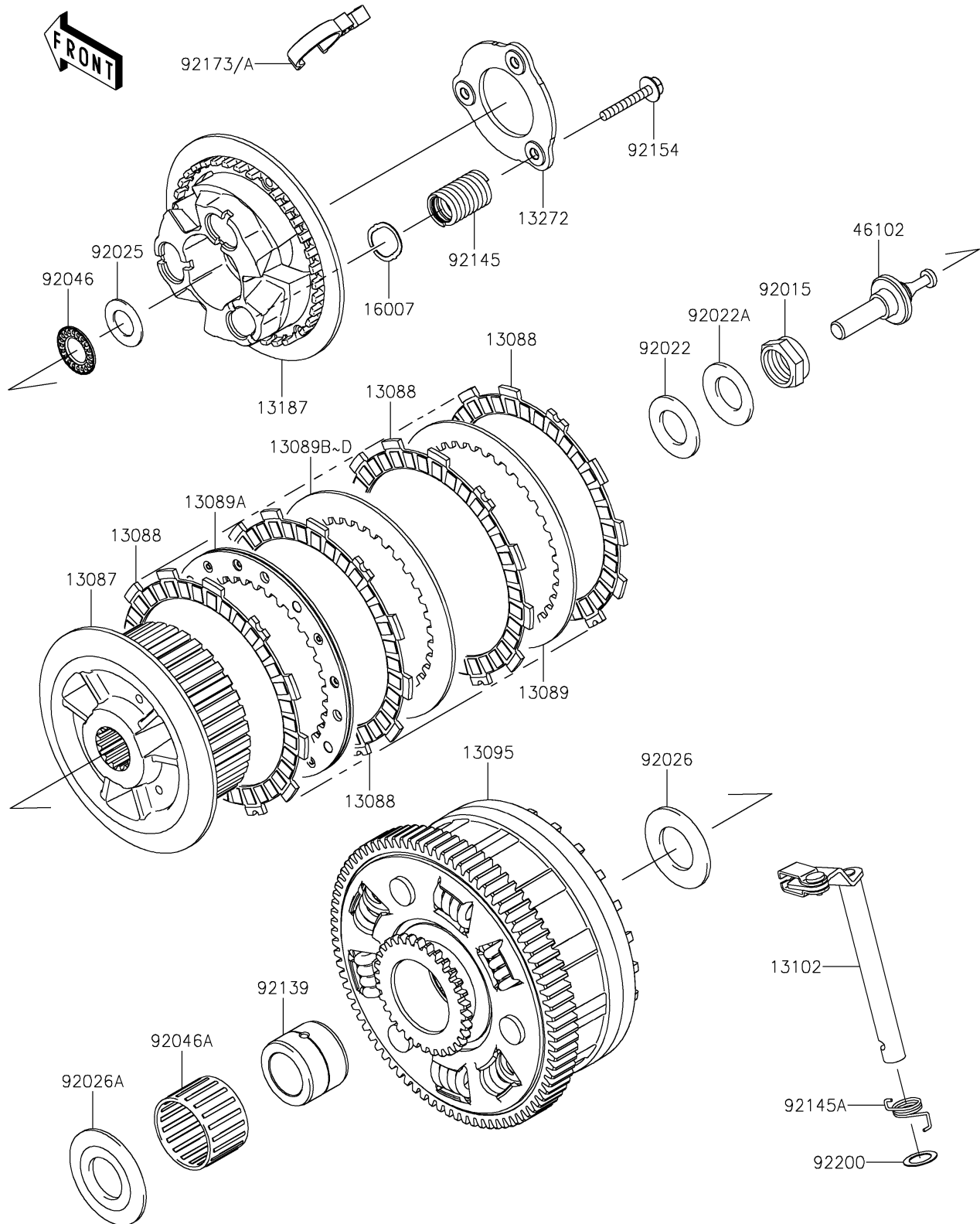


2018 Z900 PARTS DIAGRAM

Clutch

E1350



2018 Z900 PARTS LIST

Clutch

| ITEM NAME | PART NUMBER | QUANTITY |
|--|-------------|----------|
| HUB-CLUTCH (Ref # 13087) | 13087-0583 | 1 |
| PLATE-FRICTION (Ref # 13088) | 13088-0568 | 1 |
| PLATE-CLUTCH,T=2.3 (Ref # 13089) | 13089-0023 | 1 |
| PLATE-CLUTCH,SPG COMP (Ref # 13089A) | 13089-0024 | 1 |
| PLATE-CLUTCH,T=2.0 (Ref # 13089B) | 13089-1073 | 1 |
| PLATE-CLUTCH,T=2.3 (Ref # 13089C) | 13089-1084 | 1 |
| PLATE-CLUTCH,T=2.6 (Ref # 13089D) | 13089-1115 | 1 |
| HOUSING-COMP-CLUTCH (Ref # 13095) | 13095-0118 | 1 |
| RELEASE-COMP-CLUTCH (Ref # 13102) | 13102-0072 | 1 |
| PLATE-CLUTCH OPERATING (Ref # 13187) | 13187-0031 | 1 |
| PLATE (Ref # 13272) | 13272-1413 | 1 |
| SEAT-SPRING (Ref # 16007) | 16007-0711 | 1 |
| ROD (Ref # 46102) | 46102-0621 | 1 |
| NUT,20MM (Ref # 92015) | 92015-1555 | 1 |
| WASHER,20.3X36X2.3 (Ref # 92022) | 92022-1116 | 1 |
| WASHER,20.3X36X3.7 (Ref # 92022A) | 92022-1868 | 1 |
| SHIM,15.3X27.5X1.20 (Ref # 92025) | 92025-1137 | 1 |
| SPACER,25.5X47X2.5 (Ref # 92026) | 92026-022 | 1 |
| SPACER (Ref # 92026A) | 92026-1497 | 1 |
| BEARING-NEEDLE,AXK1102 (Ref # 92046) | 92046-1052 | 1 |
| BEARING-NEEDLE,K38X43X28.8X (Ref # 92046A) | 92046-1263 | 1 |
| BUSHING,25X38X29.05 (Ref # 92139) | 92139-0067 | 1 |
| SPRING (Ref # 92145) | 92145-1745 | 1 |
| SPRING,RELEASE-COMP (Ref # 92145A) | 92145-1769 | 1 |
| BOLT,FLANGED,6X35 (Ref # 92154) | 92154-1116 | 1 |
| CLAMP (Ref # 92173) | 92173-1724 | 1 |
| WASHER,12X18.5X0.5 (Ref # 92200) | 92200-1487 | 1 |