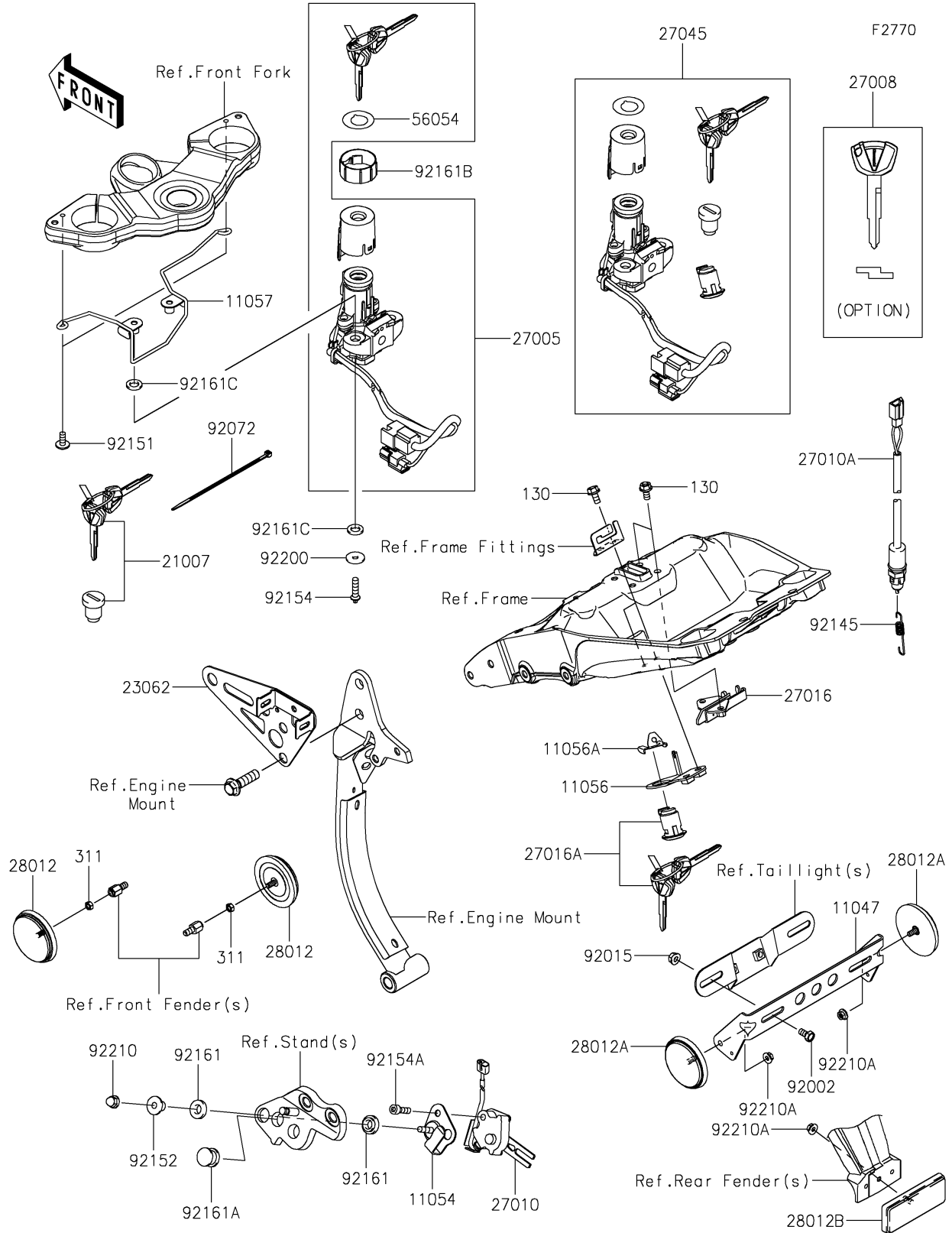


2017 NINJA® 1000 ABS PARTS DIAGRAM

Ignition Switch/Locks/Reflectors



2017 NINJA® 1000 ABS PARTS LIST

Ignition Switch/Locks/Reflectors

| ITEM NAME | PART NUMBER | QUANTITY |
|---|-------------|----------|
| BRACKET,REFLECTOR (Ref # 11047) | 11047-1470 | 1 |
| BRACKET,SIDE STAND SWITCH (Ref # 11054) | 11054-1904 | 1 |
| BRACKET,KEY CYLINDER (Ref # 11056) | 11056-0264 | 1 |
| BRACKET (Ref # 11056A) | 11056-1084 | 1 |
| BRACKET,IG. SWITCH (Ref # 11057) | 11057-0420 | 1 |
| BOLT-FLANGED,6X12 (Ref # 130) | 130BA0612 | 1 |
| ROTOR,LOCK,TANK CAP (Ref # 21007) | 21007-5068 | 1 |
| BRACKET-COMP,REGULATOR (Ref # 23062) | 23062-0902 | 1 |
| SWITCH-ASSY-IGNITION (Ref # 27005) | 27005-0568 | 1 |
| KEY-LOCK,BLANK (Ref # 27008) | 27008-0069 | 1 |
| SWITCH,SIDE STAND (Ref # 27010) | 27010-0112 | 1 |
| SWITCH,STOP (Ref # 27010A) | 27010-0749 | 1 |
| LOCK-ASSY,SEAT STRIKER (Ref # 27016) | 27016-1115 | 1 |
| LOCK-ASSY,SEAT (Ref # 27016A) | 27016-5368 | 1 |
| SWITCH-ASSY (Ref # 27045) | 27045-5492 | 1 |
| REFLECTOR-REFLEX,FR,SIDE (Ref # 28012) | 28012-0001 | 1 |
| REFLECTOR-REFLEX (Ref # 28012A) | 28012-0002 | 1 |
| REFLECTOR-REFLEX (Ref # 28012B) | 28012-1077 | 1 |
| NUT-HEX,5MM (Ref # 311) | 311AB0500 | 1 |
| MARK,IGNITION SWITCH (Ref # 56054) | 56054-0969 | 1 |
| BOLT,6X12 (Ref # 92002) | 92002-1132 | 1 |
| NUT,FLANGED,6MM (Ref # 92015) | 92015-1367 | 1 |
| BAND,L=148 (Ref # 92072) | 92072-3768 | 1 |
| SPRING,BRAKE LAMP SWITCH (Ref # 92145) | 92145-0761 | 1 |
| BOLT,SOCKET,6X14 (Ref # 92151) | 92151-1654 | 1 |
| COLLAR (Ref # 92152) | 92152-1074 | 1 |
| BOLT,TORX,6X24 (Ref # 92154) | 92154-1129 | 1 |
| BOLT,SOCKET,6X22 (Ref # 92154A) | 92154-1898 | 1 |
| DAMPER (Ref # 92161) | 92161-0117 | 1 |

2017 NINJA® 1000 ABS PARTS LIST

Ignition Switch/Locks/Reflectors

| ITEM NAME | PART NUMBER | QUANTITY |
|--------------------------------|-------------|----------|
| DAMPER (Ref # 92161A) | 92161-0118 | 1 |
| DAMPER (Ref # 92161B) | 92161-1506 | 1 |
| DAMPER,10X17X3 (Ref # 92161C) | 92161-1507 | 1 |
| WASHER,6X20X1.6 (Ref # 92200) | 92200-0212 | 1 |
| NUT,CAP,6MM (Ref # 92210) | 92210-0003 | 1 |
| NUT,FLANGED,5MM (Ref # 92210A) | 92210-0007 | 1 |