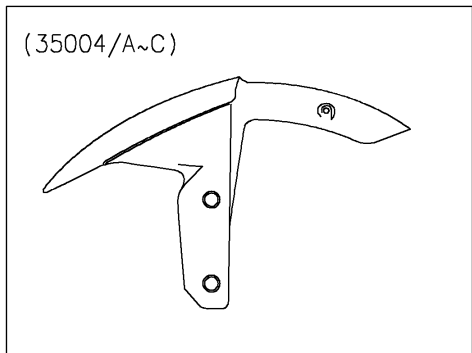
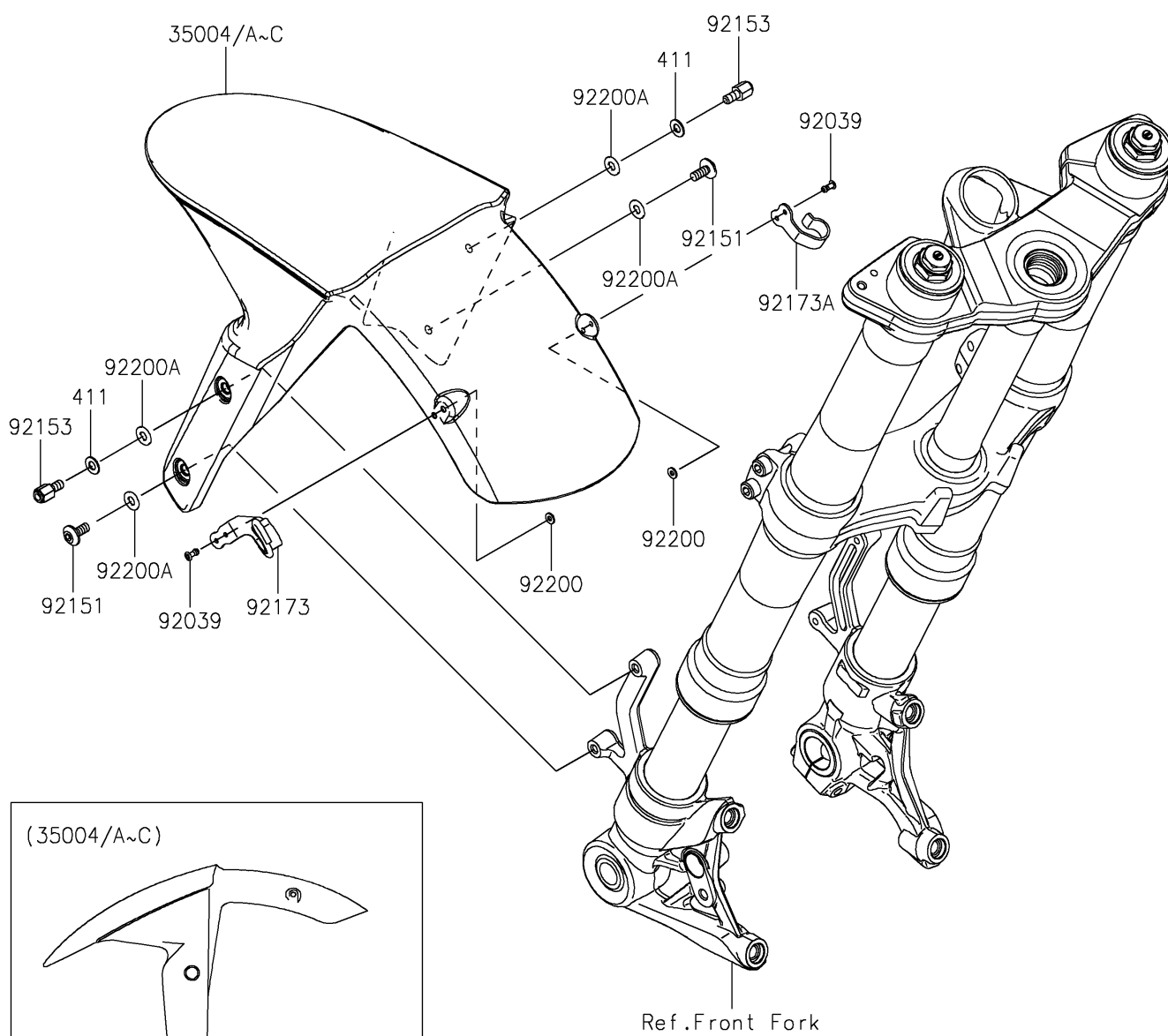


2017 NINJA® 1000 ABS PARTS DIAGRAM

Front Fender(s)

F2171



WOD

2017 NINJA® 1000 ABS PARTS LIST

Front Fender(s)

ITEM NAME	PART NUMBER	QUANTITY
FENDER-FRONT,C.L.GREEN (Ref # 35004)	35004-0310-51P	1
FENDER-FRONT,M.S.BLACK (Ref # 35004C)	35004-0310-660	1
WASHER-PLAIN,6MM (Ref # 411)	411AB0600	1
RIVET (Ref # 92039)	92039-0705	1
BOLT,SOCKET,6X14 (Ref # 92151)	92151-1654	1
BOLT,6MM (Ref # 92153)	92153-0335	1
CLAMP,FENDER,LH (Ref # 92173)	92173-1096	1
CLAMP,FENDER,RH (Ref # 92173A)	92173-1097	1
WASHER,3.5X8X1 (Ref # 92200)	92200-1251	1
WASHER,6.5X14X1 (Ref # 92200A)	92200-1388	1