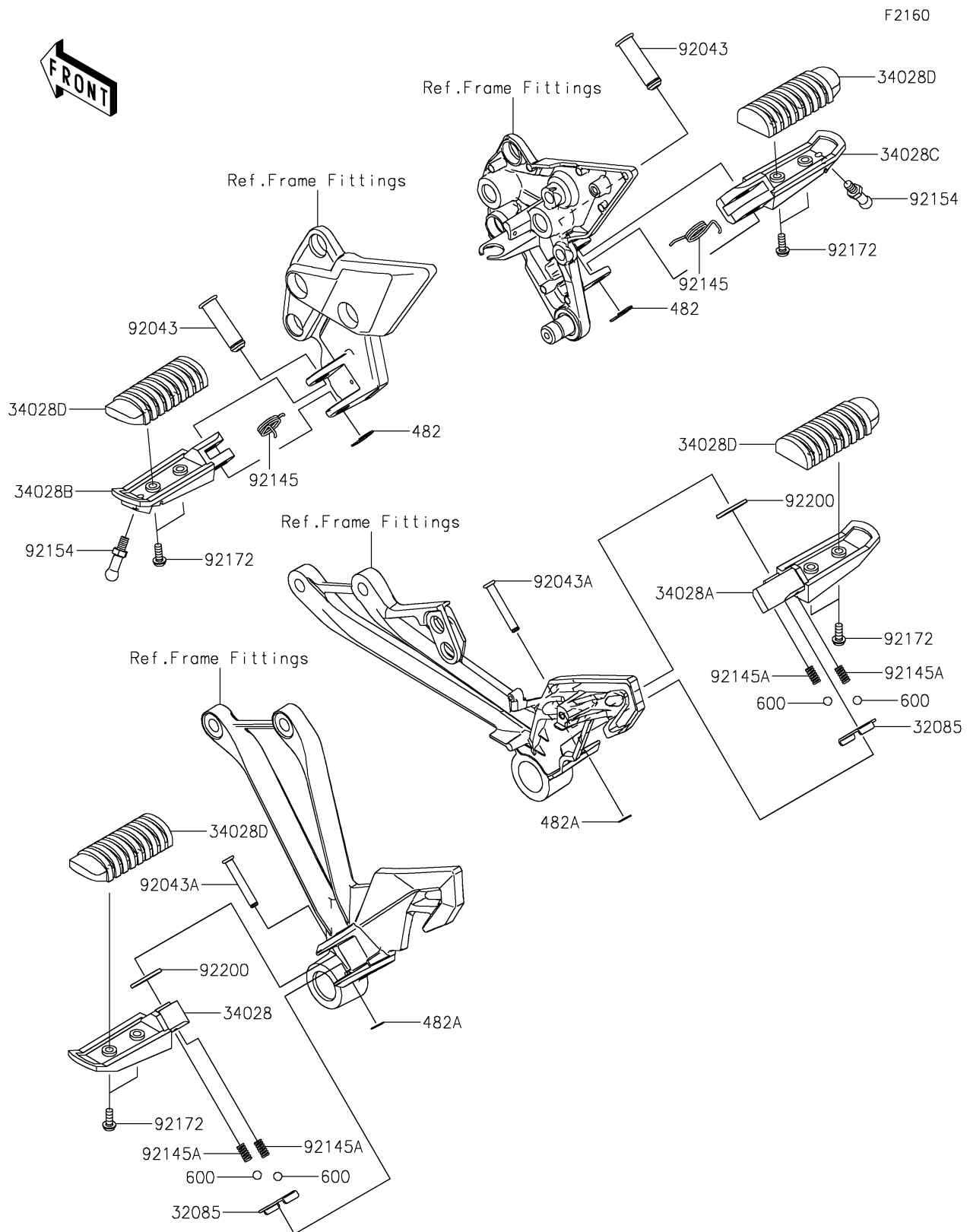


## 2017 NINJA® 1000 ABS PARTS DIAGRAM

Footrests



## 2017 NINJA® 1000 ABS PARTS LIST

Footrests

| ITEM NAME                           | PART NUMBER | QUANTITY |
|-------------------------------------|-------------|----------|
| STOPPER,REAR STEP (Ref # 32085)     | 32085-0047  | 1        |
| STEP,RR,LH (Ref # 34028)            | 34028-0314  | 1        |
| STEP,RR,RH (Ref # 34028A)           | 34028-0315  | 1        |
| STEP,FR,LH (Ref # 34028B)           | 34028-0352  | 1        |
| STEP,FR,RH (Ref # 34028C)           | 34028-0353  | 1        |
| STEP,RUBBER (Ref # 34028D)          | 34028-1430  | 1        |
| CIRCLIP-TYPE-E,10MM (Ref # 482)     | 482EA0100   | 1        |
| CIRCLIP-TYPE-E (Ref # 482A)         | 482EA5000   | 1        |
| BALL-STEEL,1/4 (Ref # 600)          | 600A0800    | 1        |
| PIN,12X42.5 (Ref # 92043)           | 92043-1594  | 1        |
| PIN,6X40 (Ref # 92043A)             | 92043-1595  | 1        |
| SPRING,STEP RETURN,LH (Ref # 92145) | 92145-0360  | 1        |
| SPRING (Ref # 92145A)               | 92145-1319  | 1        |
| BOLT,BANK SENSOR,6X10 (Ref # 92154) | 92154-1854  | 1        |
| SCREW,5X14 (Ref # 92172)            | 92172-0976  | 1        |
| WASHER,16X26X2.3 (Ref # 92200)      | 92200-0043  | 1        |