

## 2017 PARTS DIAGRAM

Accessory(High-Seat)

F2910J

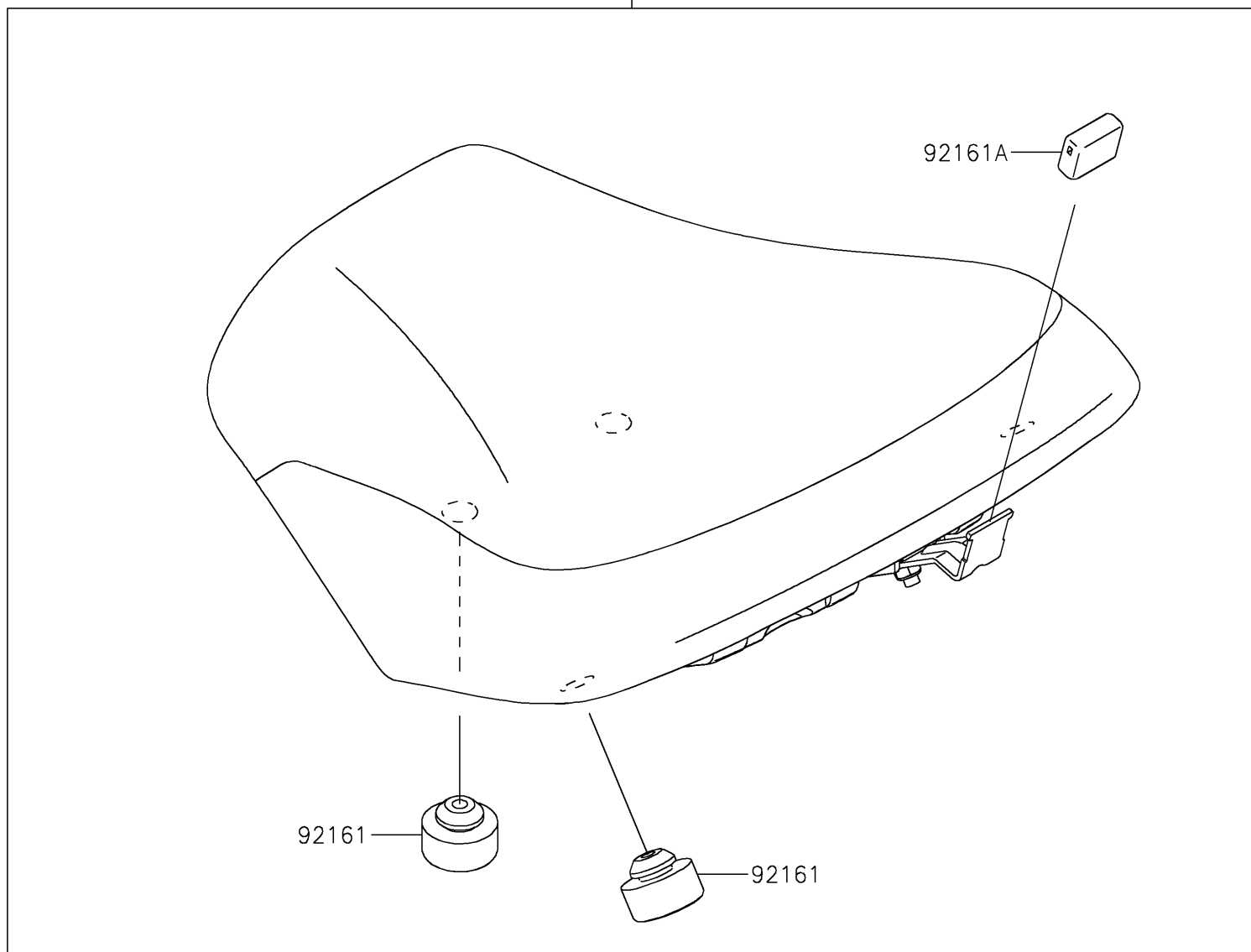


99994

92161A

92161

92161



## 2017 PARTS LIST

Accessory(High-Seat)

ITEM NAME	PART NUMBER	QUANTITY
DAMPER,SEAT (Ref # 92161)	92161-0930	1
DAMPER,SEAT BRACKET,FR (Ref # 92161A)	92161-1865	1
KIT-ACCESSORY,HIGH-SEAT (Ref # 99994)	99994-1062	1