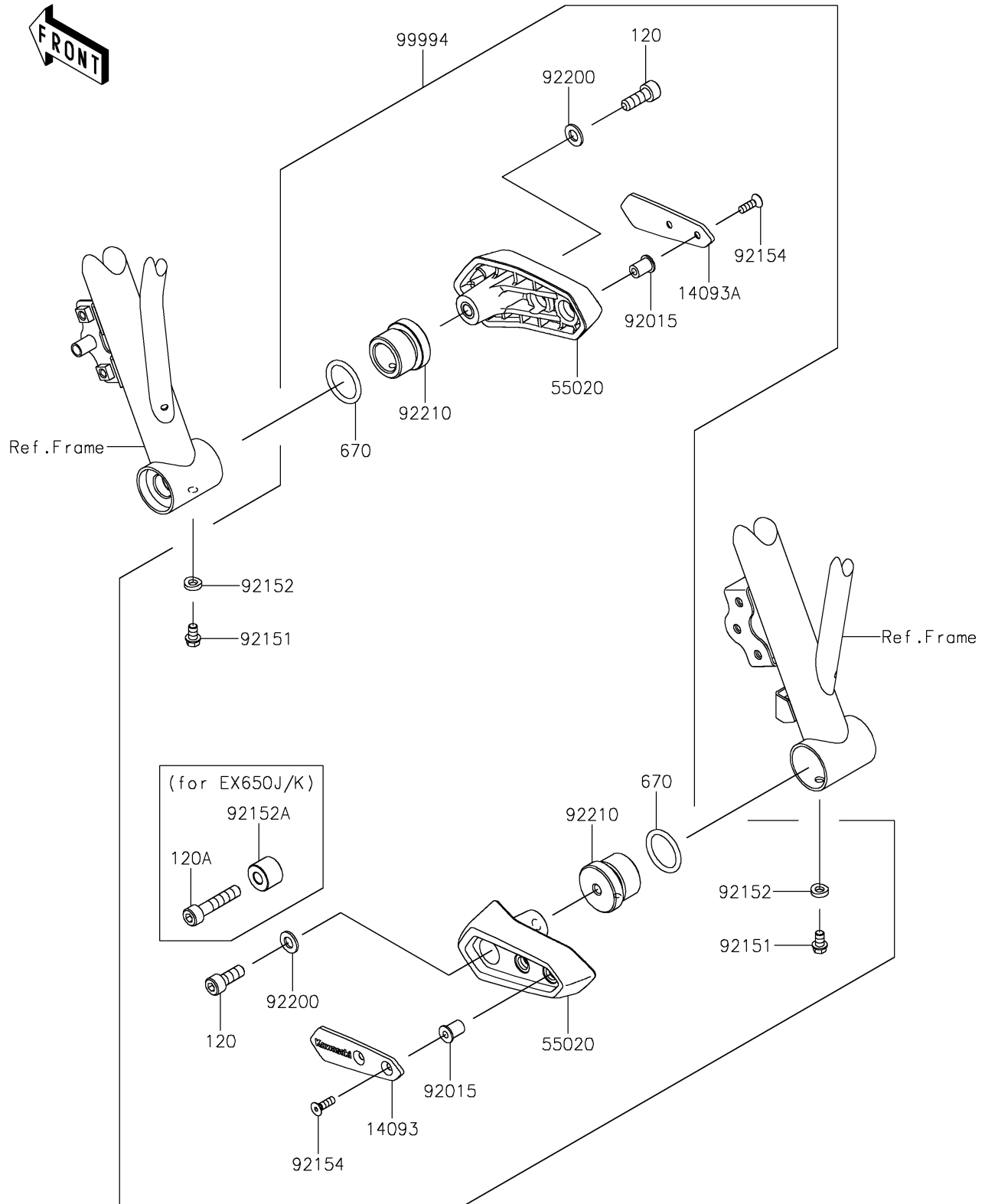


## 2017 PARTS DIAGRAM

Accessory(Frame Slider)

F2910B



## 2017 PARTS LIST

Accessory(Frame Slider)

ITEM NAME	PART NUMBER	QUANTITY
BOLT-SOCKET,8X22 (Ref # 120)	120CA0822	1
BOLT-SOCKET,8X40 (Ref # 120A)	120CA0840	1
COVER,SLIDER,LH (Ref # 14093)	14093-0350	1
COVER,SLIDER,RH (Ref # 14093A)	14093-0351	1
GUARD (Ref # 55020)	55020-1997	1
O RING,26MM (Ref # 670)	670B3026	1
NUT,WELL,5MM (Ref # 92015)	92015-1757	1
BOLT,6X10 (Ref # 92151)	92151-1277	1
COLLAR,6.3X12 (Ref # 92152)	92152-2236	1
COLLAR,8.3X20X15 (Ref # 92152A)	92152-2237	1
BOLT,SOCKET,5X16 (Ref # 92154)	92154-1014	1
WASHER,8.4X16X1.6 (Ref # 92200)	92200-0807	1
NUT (Ref # 92210)	92210-1505	1
KIT-ACCESSORY,FRAME SLIDER (Ref # 99994)	99994-0797	1