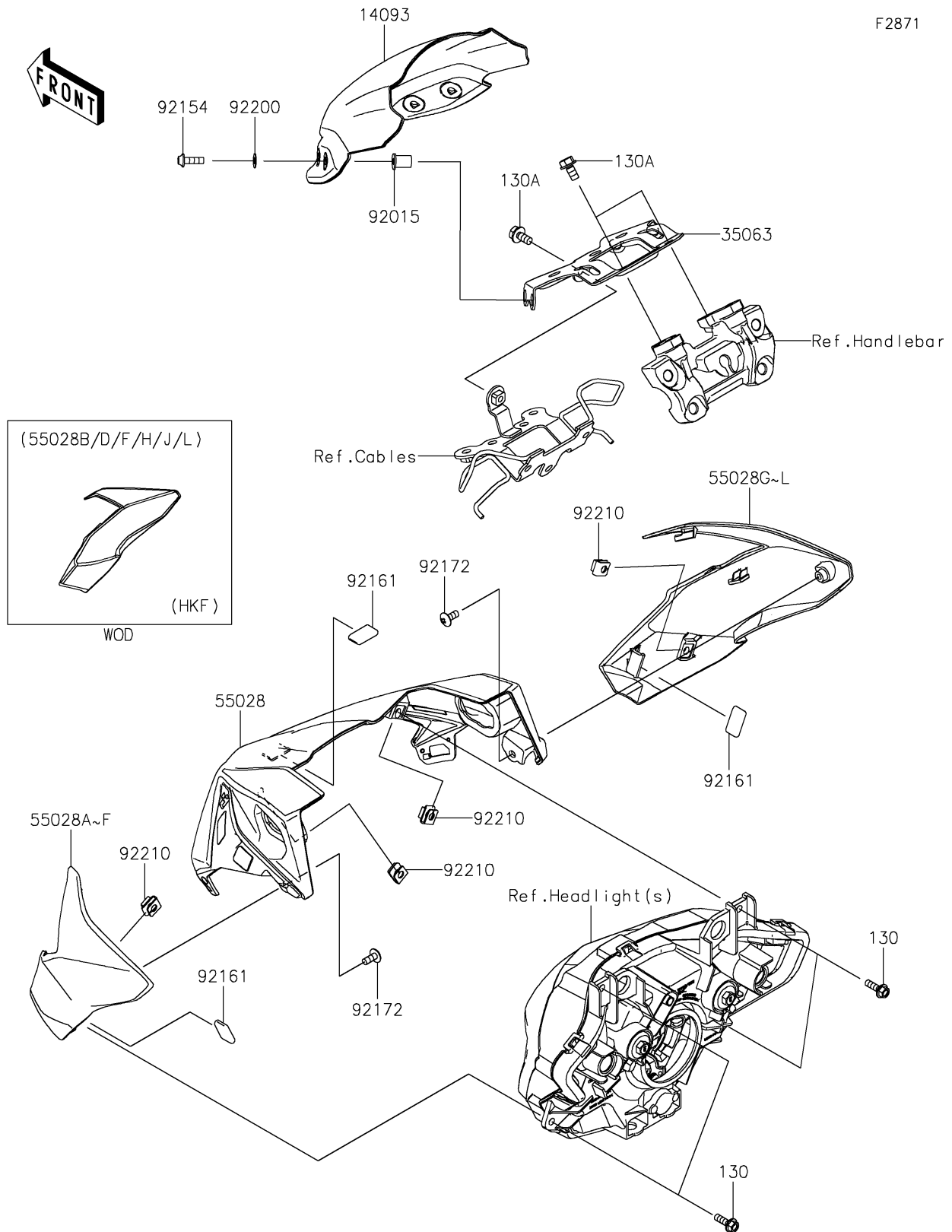


## 2017 PARTS DIAGRAM

Cowling

F2871



## 2017 PARTS LIST

### Cowling

| ITEM NAME                                 | PART NUMBER    | QUANTITY |
|-------------------------------------------|----------------|----------|
| BOLT-FLANGED,5X16 (Ref # 130)             | 130BA0516      | 1        |
| BOLT-FLANGED,6X12 (Ref # 130A)            | 130BB0612      | 1        |
| COVER,METER (Ref # 14093)                 | 14093-0487     | 1        |
| STAY,METER (Ref # 35063)                  | 35063-1352     | 1        |
| COWLING,UPP (Ref # 55028)                 | 55028-0587     | 1        |
| COWLING,UPP,LH,P.F.S.WHITE (Ref # 55028B) | 55028-0588-40X | 1        |
| COWLING,UPP,LH,M.S.BLACK (Ref # 55028E)   | 55028-0588-660 | 1        |
| COWLING,UPP,RH,P.F.S.WHITE (Ref # 55028H) | 55028-0589-40X | 1        |
| COWLING,UPP,RH,M.S.BLACK (Ref # 55028K)   | 55028-0589-660 | 1        |
| NUT,WELL,5MM (Ref # 92015)                | 92015-1757     | 1        |
| BOLT,SOCKET,5X16 (Ref # 92154)            | 92154-1701     | 1        |
| DAMPER,12X23 (Ref # 92161)                | 92161-1367     | 1        |
| SCREW,5X12 (Ref # 92172)                  | 92172-0821     | 1        |
| WASHER,NYLON,5.3X11.5X0.5 (Ref # 92200)   | 92200-1480     | 1        |
| NUT,5MM (Ref # 92210)                     | 92210-0351     | 1        |