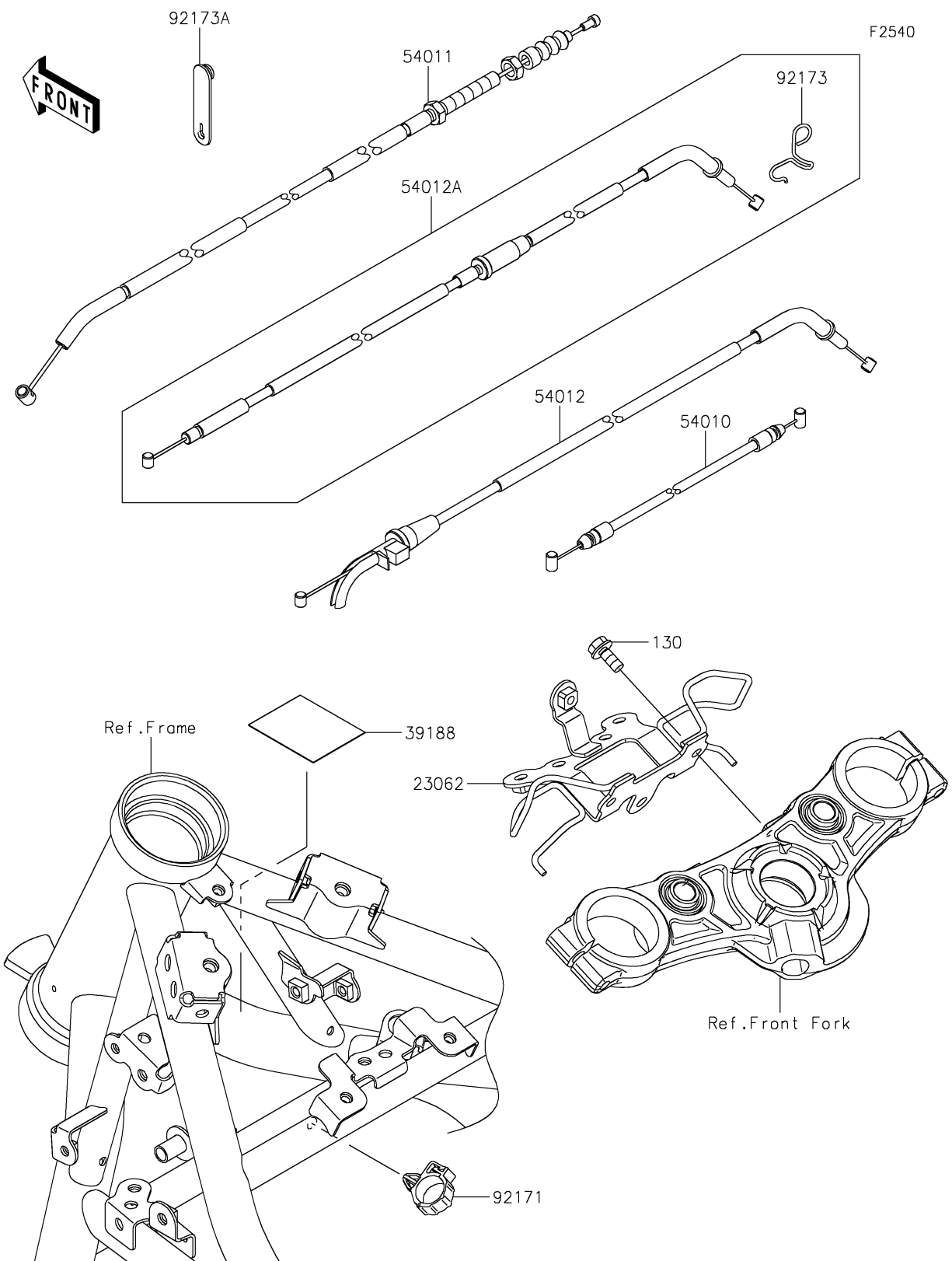


2017 PARTS DIAGRAM

Cables



2017 PARTS LIST

Cables

ITEM NAME	PART NUMBER	QUANTITY
BOLT-FLANGED,6X14 (Ref # 130)	130BA0614	1
BRACKET-COMP,METER (Ref # 23062)	23062-0878	1
TAPE,40X50 (Ref # 39188)	39188-0049	1
CABLE,SEAT LOCK (Ref # 54010)	54010-0612	1
CABLE-CLUTCH (Ref # 54011)	54011-0617	1
CABLE-THROTTLE,OPENING (Ref # 54012)	54012-0640	1
CABLE-THROTTLE,CLOSING (Ref # 54012A)	54012-0641	1
CLAMP,BRAKE HOSE (Ref # 92171)	92171-0316	1
CLAMP,THROTTLE CABLE (Ref # 92173)	92173-0727	1
CLAMP,RUBBER PLATE (Ref # 92173A)	92173-1229	1