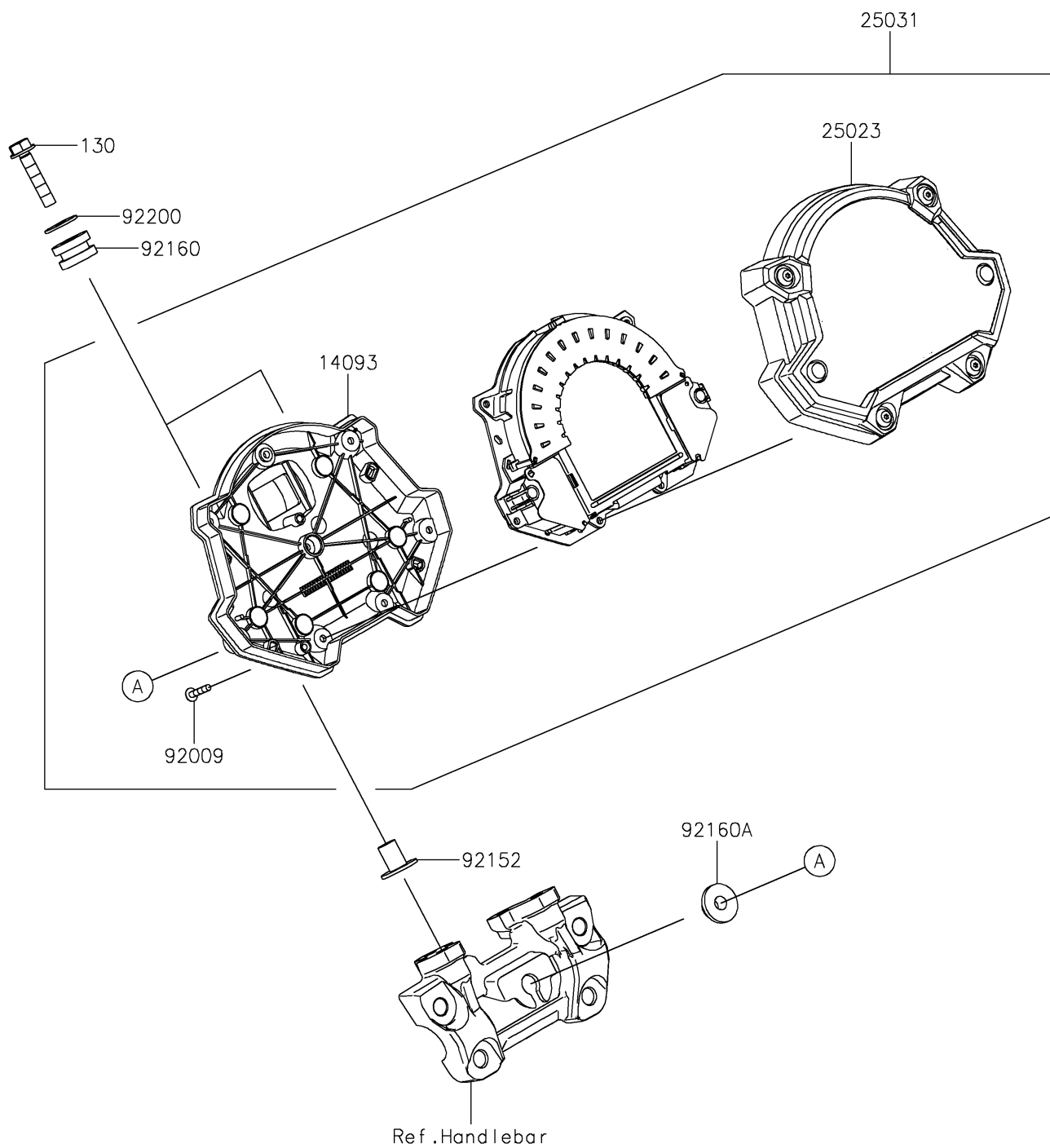


2017 PARTS DIAGRAM

Meter(s)

F2530



2017 PARTS LIST

Meter(s)

ITEM NAME	PART NUMBER	QUANTITY
BOLT-FLANGED,6X30 (Ref # 130)	130BB0630	1
COVER,LWR CASE (Ref # 14093)	14093-0526	1
COVER-METER CASE,UPP (Ref # 25023)	25023-0126	1
METER-ASSY (Ref # 25031)	25031-0715	1
SCREW,TAPPING,3X16 (Ref # 92009)	92009-1391	1
COLLAR,6.3X20X15.1 (Ref # 92152)	92152-2322	1
DAMPER,10X20X12 (Ref # 92160)	92160-1167	1
DAMPER (Ref # 92160A)	92160-1613	1
WASHER,6.2X18X1.2 (Ref # 92200)	92200-1889	1