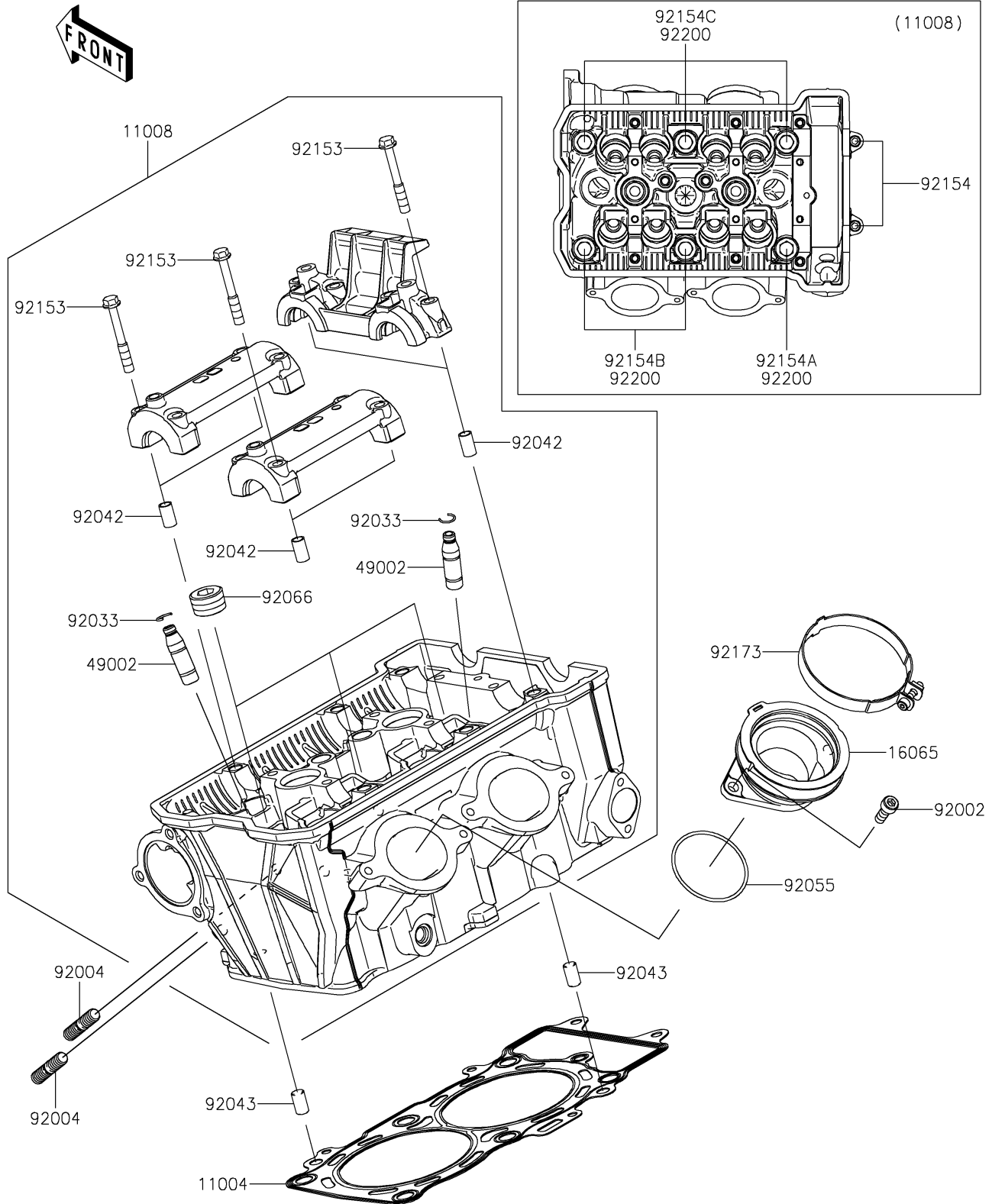


## 2017 PARTS DIAGRAM

Cylinder Head

E1111



## 2017 PARTS LIST

### Cylinder Head

ITEM NAME	PART NUMBER	QUANTITY
GASKET-HEAD (Ref # 11004)	11004-0763	1
HEAD-COMP-CYLINDER (Ref # 11008)	11008-0913	1
HOLDER-CARBURETOR (Ref # 16065)	16065-0131	1
GUIDE-VALVE (Ref # 49002)	49002-0039	1
BOLT,6X16 (Ref # 92002)	92002-1143	1
STUD,8X22 (Ref # 92004)	92004-0025	1
RING-SNAP (Ref # 92033)	92033-1247	1
PIN,DOWEL,6.3X8X14 (Ref # 92042)	92042-007	1
PIN,8X14 (Ref # 92043)	92043-1567	1
RING-O,47X1.9 (Ref # 92055)	92055-1600	1
PLUG,PT1/2X12.5 (Ref # 92066)	92066-0002	1
BOLT,6X45 (Ref # 92153)	92153-0339	1
BOLT,SOCKET,6X30 (Ref # 92154)	92154-0116	1
BOLT,FLANGED,10X100 (Ref # 92154A)	92154-2363	1
BOLT,FLANGED,10X158 (Ref # 92154B)	92154-2364	1
BOLT,FLANGED,10X176 (Ref # 92154C)	92154-2365	1
CLAMP (Ref # 92173)	92173-0239	1
WASHER,10.5X19X2.3 (Ref # 92200)	92200-0257	1