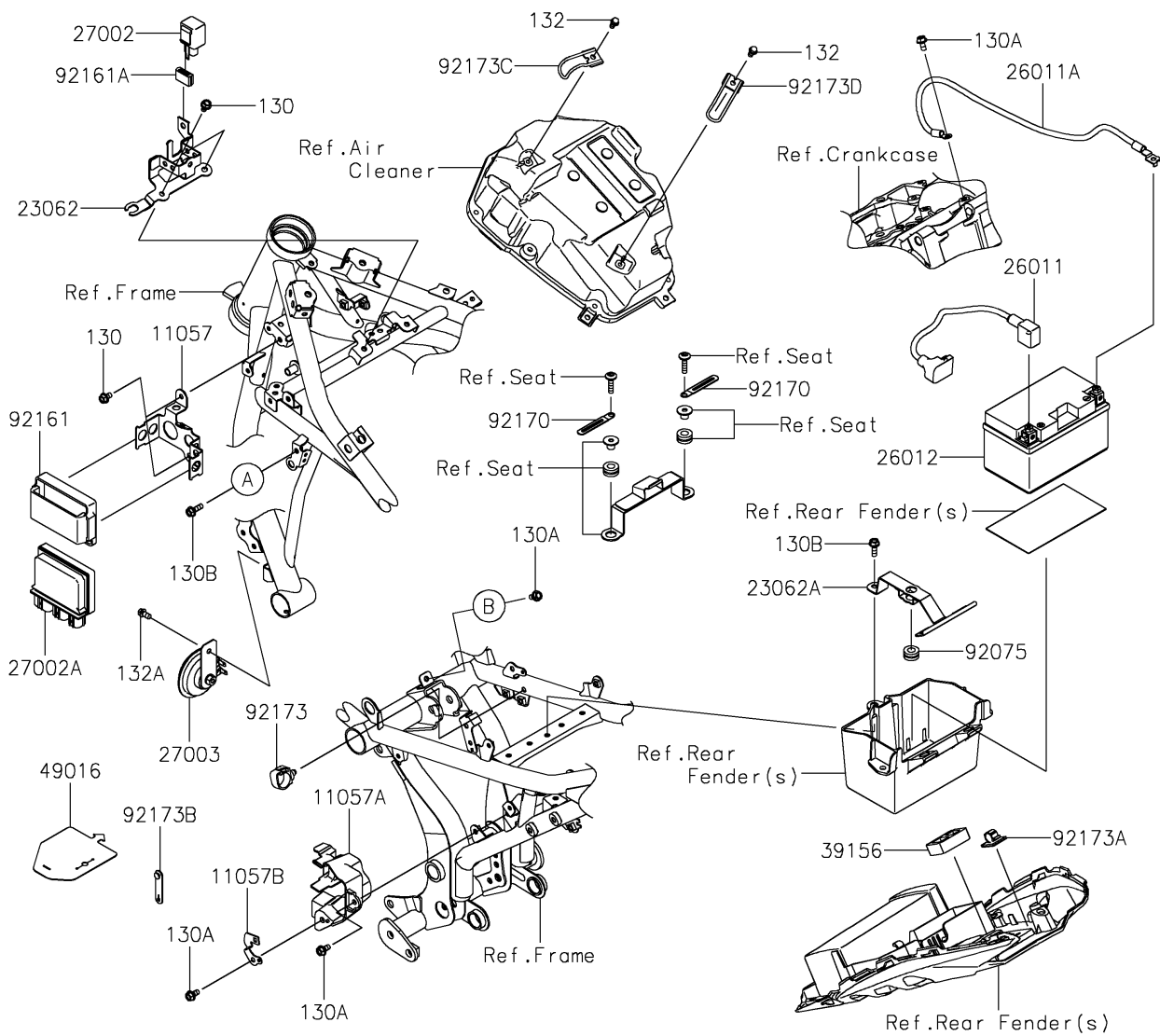
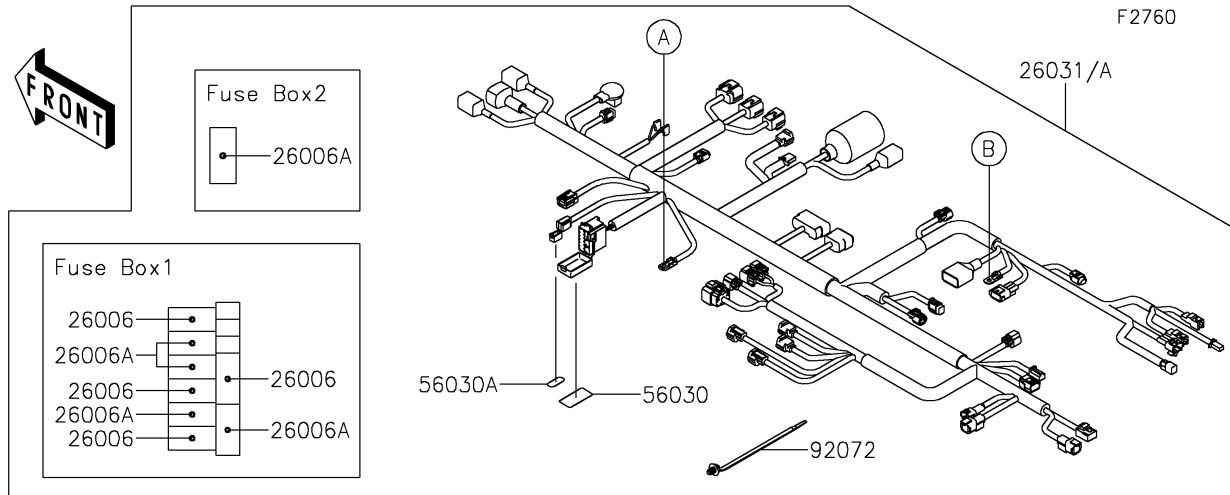


2017 Z650 PARTS DIAGRAM

Chassis Electrical Equipment



2017 Z650 PARTS LIST

Chassis Electrical Equipment

ITEM NAME	PART NUMBER	QUANTITY
BRACKET,RELAY BOX (Ref # 11057)	11057-0077	1
BRACKET,MAGNETIC SW. (Ref # 11057A)	11057-0137	1
BRACKET,COUPLER (Ref # 11057B)	11057-0138	1
BOLT-FLANGED,6X10 (Ref # 130)	130BA0610	1
BOLT-FLANGED,6X12 (Ref # 130A)	130BA0612	1
BOLT-FLANGED,6X18 (Ref # 130B)	130BA0618	1
BOLT-FLANGED-SMALL,6X10 (Ref # 132)	132BA0610	1
BOLT-FLANGED-SMALL,6X12 (Ref # 132A)	132BB0612	1
BRACKET-COMP,VD SENSOR (Ref # 23062)	23062-0875	1
BRACKET-COMP,BATTERY (Ref # 23062A)	23062-0899	1
FUSE,MINI BLADE,15A,BLUE (Ref # 26006)	26006-0001	1
FUSE,MINI BLADE,10A,RED (Ref # 26006A)	26006-1078	1
WIRE-LEAD,BATTERY(+) (Ref # 26011)	26011-0979	1
WIRE-LEAD,BATTERY(-) (Ref # 26011A)	26011-0981	1
BATTERY,YTZ10S,12V 8.6AH (Ref # 26012)	26012-0564	1
HARNESS,MAIN (Ref # 26031A)	26031-2329	1
RELAY-ASSY,SIGNAL LAMP (Ref # 27002)	27002-0006	1
RELAY-ASSY,BOX (Ref # 27002A)	27002-0025	1
HORN (Ref # 27003)	27003-0056	1
PAD,CONNECTOR (Ref # 39156)	39156-2136	1
COVER-SEAL (Ref # 49016)	49016-0645	1
LABEL,FUSE BOX1 (Ref # 56030)	56030-0705	1
LABEL,FUSE BOX2 (Ref # 56030A)	56030-0706	1
BAND,OS170-FT7(BLACK) (Ref # 92072)	92072-1414	1
DAMPER (Ref # 92075)	92075-1880	1
DAMPER,RELAY BOX (Ref # 92161)	92161-0203	1
DAMPER,15X25X8.5 (Ref # 92161A)	92161-1443	1
CLAMP (Ref # 92170)	92170-1514	1
CLAMP (Ref # 92173)	92173-0861	1

2017 Z650 PARTS LIST

Chassis Electrical Equipment

ITEM NAME	PART NUMBER	QUANTITY
CLAMP,DRAIN (Ref # 92173A)	92173-1055	1
CLAMP,RUBBER PLATE (Ref # 92173B)	92173-1229	1
CLAMP,A/C CASE,FR (Ref # 92173C)	92173-1586	1
CLAMP,A/C CASE,RR (Ref # 92173D)	92173-1587	1
HARNESS,MAIN (Ref # 26031)	26031-2328	1