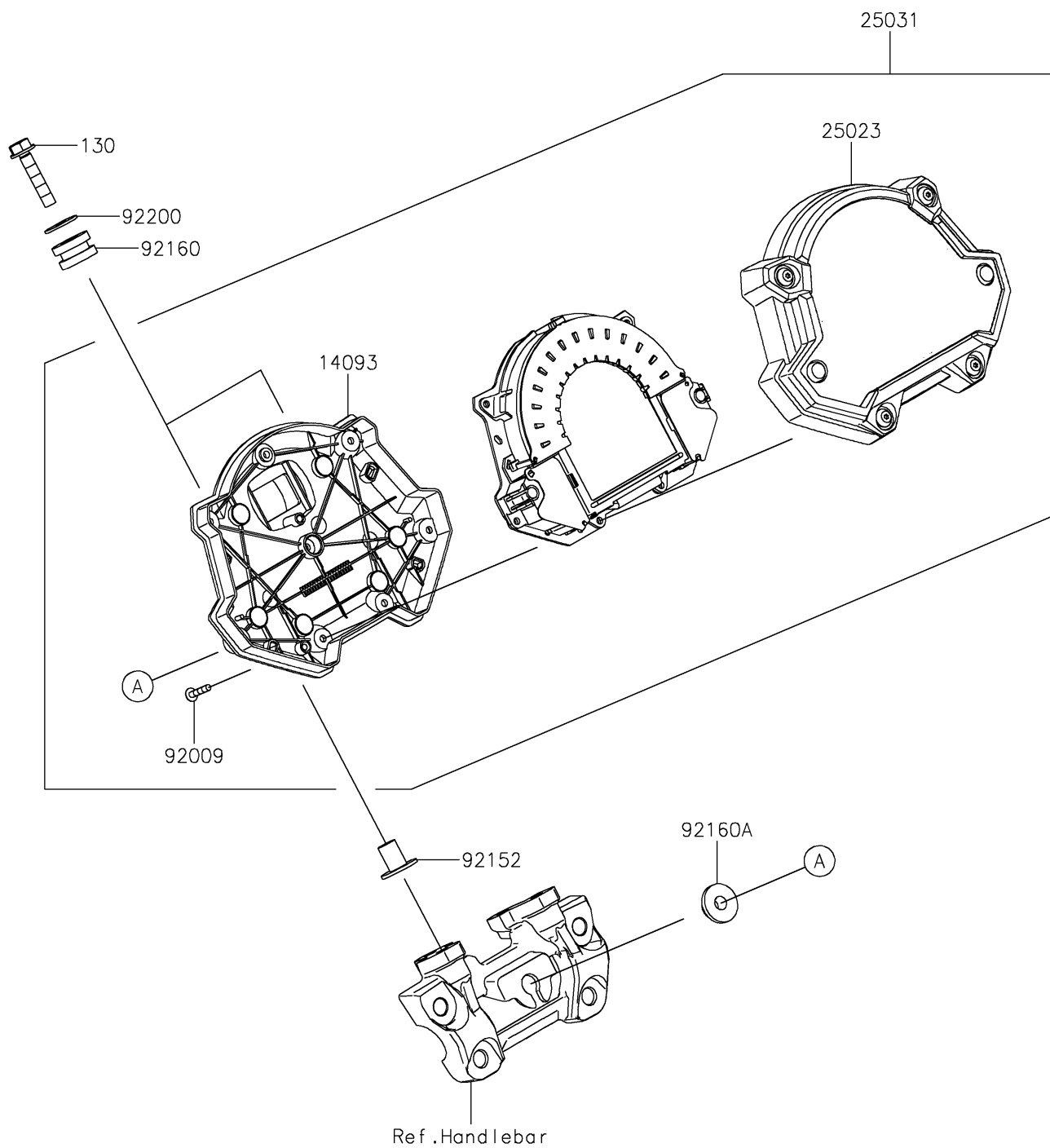


## 2017 Z650 PARTS DIAGRAM

Meter(s)

F2530



## 2017 Z650 PARTS LIST

Meter(s)

| ITEM NAME                            | PART NUMBER | QUANTITY |
|--------------------------------------|-------------|----------|
| BOLT-FLANGED,6X30 (Ref # 130)        | 130BB0630   | 1        |
| COVER,LWR CASE (Ref # 14093)         | 14093-0526  | 1        |
| COVER-METER CASE,UPP (Ref # 25023)   | 25023-0126  | 1        |
| METER-ASSY,COMBINATION (Ref # 25031) | 25031-0716  | 1        |
| SCREW,TAPPING,3X16 (Ref # 92009)     | 92009-1391  | 1        |
| COLLAR,6.3X20X15.1 (Ref # 92152)     | 92152-2322  | 1        |
| DAMPER,10X20X12 (Ref # 92160)        | 92160-1167  | 1        |
| DAMPER (Ref # 92160A)                | 92160-1613  | 1        |
| WASHER,6.2X18X1.2 (Ref # 92200)      | 92200-1889  | 1        |