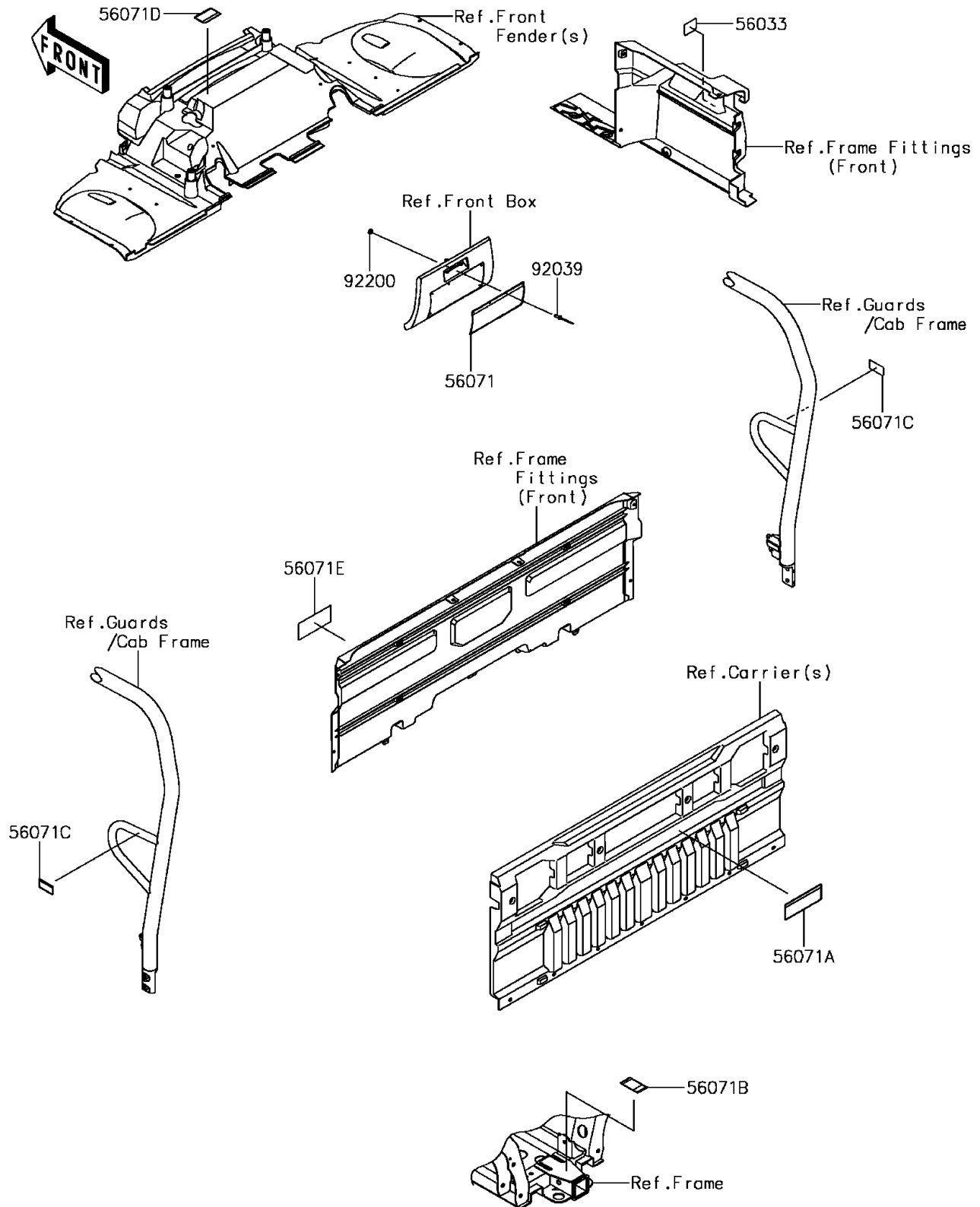


## 2016 MULE PRO-DXT™ EPS PARTS DIAGRAM

Labels

F2860



## 2016 MULE PRO-DXT™ EPS PARTS LIST

Labels

ITEM NAME	PART NUMBER	QUANTITY
LABEL-MANUAL,DIESEL (Ref # 56033)	56033-0958	1
LABEL-WARNING,GENERAL (Ref # 56071)	56071-0560	1
LABEL-WARNING,CARGO CAPA. (Ref # 56071A)	56071-0562	1
LABEL-WARNING,TRAILER HITCH (Ref # 56071B)	56071-0563	1
LABEL-WARNING,HAND CRUSH (Ref # 56071C)	56071-0564	1
LABEL-WARNING,RADIATOR (Ref # 56071D)	56071-0594	1
LABEL-WARNING,TIRE&LOAD (Ref # 56071E)	56071-0687	1
RIVET,3.2X8 (Ref # 92039)	92039-3763	1
WASHER,3.5X8X1 (Ref # 92200)	92200-1251	1