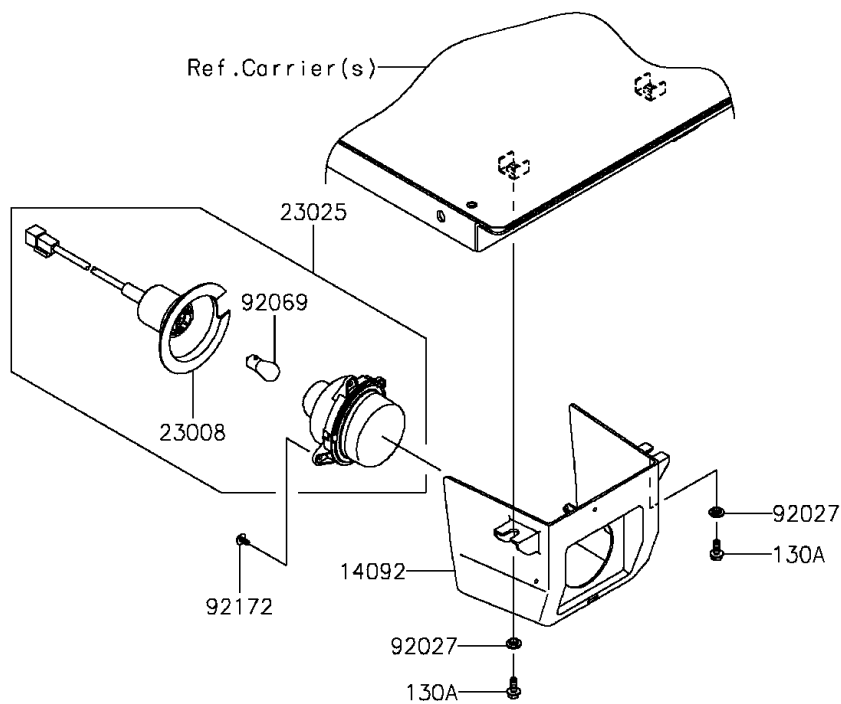
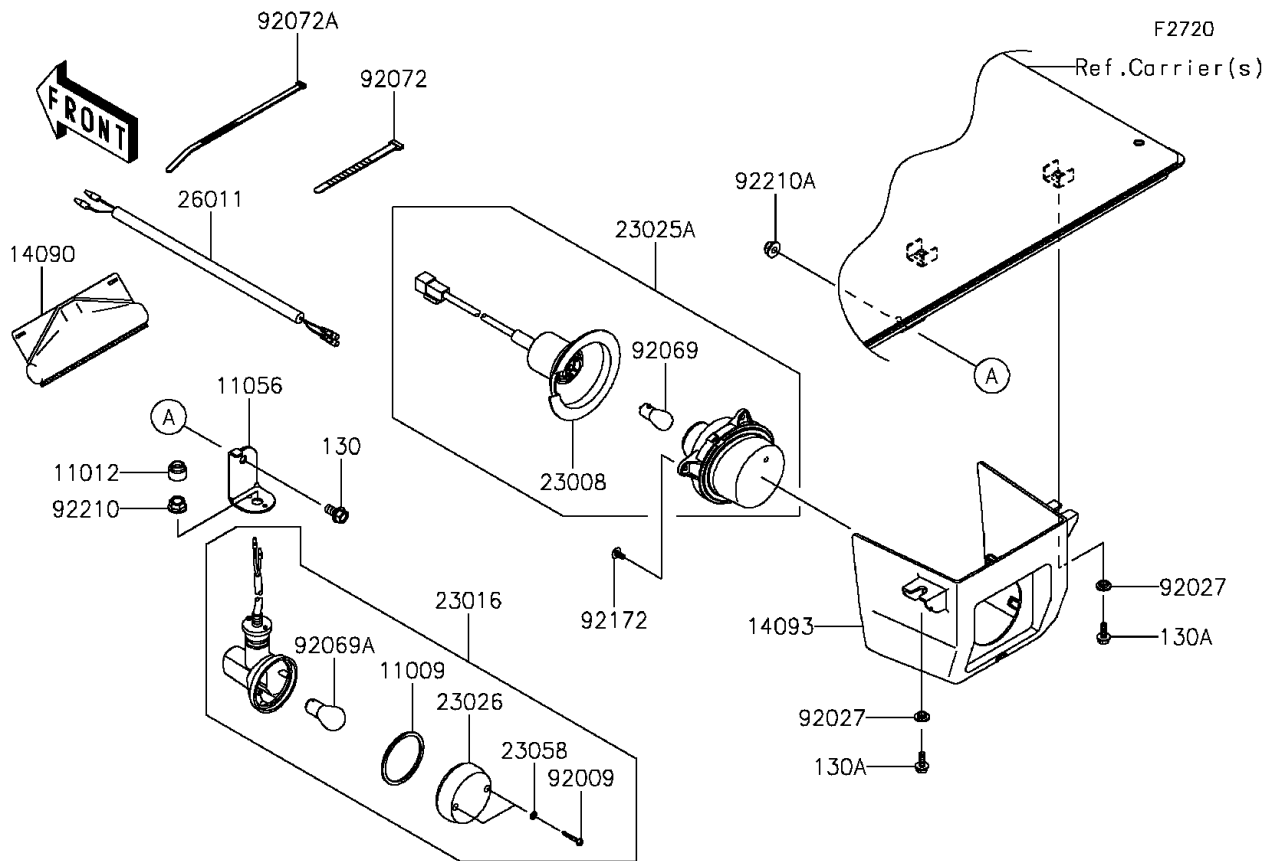


2016 MULE PRO-DXT™ EPS PARTS DIAGRAM

Taillight(s)



2016 MULE PRO-DXT™ EPS PARTS LIST

Taillight(s)

ITEM NAME	PART NUMBER	QUANTITY
GASKET (Ref # 11009)	11009-1373	1
CAP (Ref # 11012)	11012-1367	1
BRACKET (Ref # 11056)	11056-7482	1
BOLT-FLANGED,8X16 (Ref # 130)	130BA0816	1
BOLT-FLANGED,6X16 (Ref # 130A)	130CA0616	1
COVER,COUPLER (Ref # 14090)	14090-1331	1
COVER,TAIL LAMP,LH (Ref # 14092)	14092-1183	1
COVER,TAIL LAMP,RH (Ref # 14093)	14093-0091	1
SOCKET-ASSY (Ref # 23008)	23008-0162	1
LAMP-ASSY,REVERSE (Ref # 23016)	23016-1182	1
LAMP-TAIL,LH (Ref # 23025)	23025-0334	1
LAMP-TAIL,RH (Ref # 23025A)	23025-0341	1
LENS,REVERSE LAMP (Ref # 23026)	23026-1227	1
WASHER,PLAIN,4MM (Ref # 23058)	23058-002	1
WIRE-LEAD (Ref # 26011)	26011-0927	1
SCREW,TAPPING,4X25 (Ref # 92009)	92009-1069	1
COLLAR,L=4.6 (Ref # 92027)	92027-1168	1
BULB,12V 21/5W (Ref # 92069)	92069-0072	1
BULB,12V 10W (Ref # 92069A)	92069-085	1
BAND,L=123 (Ref # 92072)	92072-030	1
BAND,L=292.1 (Ref # 92072A)	92072-3509	1
SCREW,TAPPING,5X10 (Ref # 92172)	92172-0262	1
NUT,LOCK,FLANGED,10MM (Ref # 92210)	92210-0276	1
NUT,FLANGED,LOCK,8MM (Ref # 92210A)	92210-0493	1