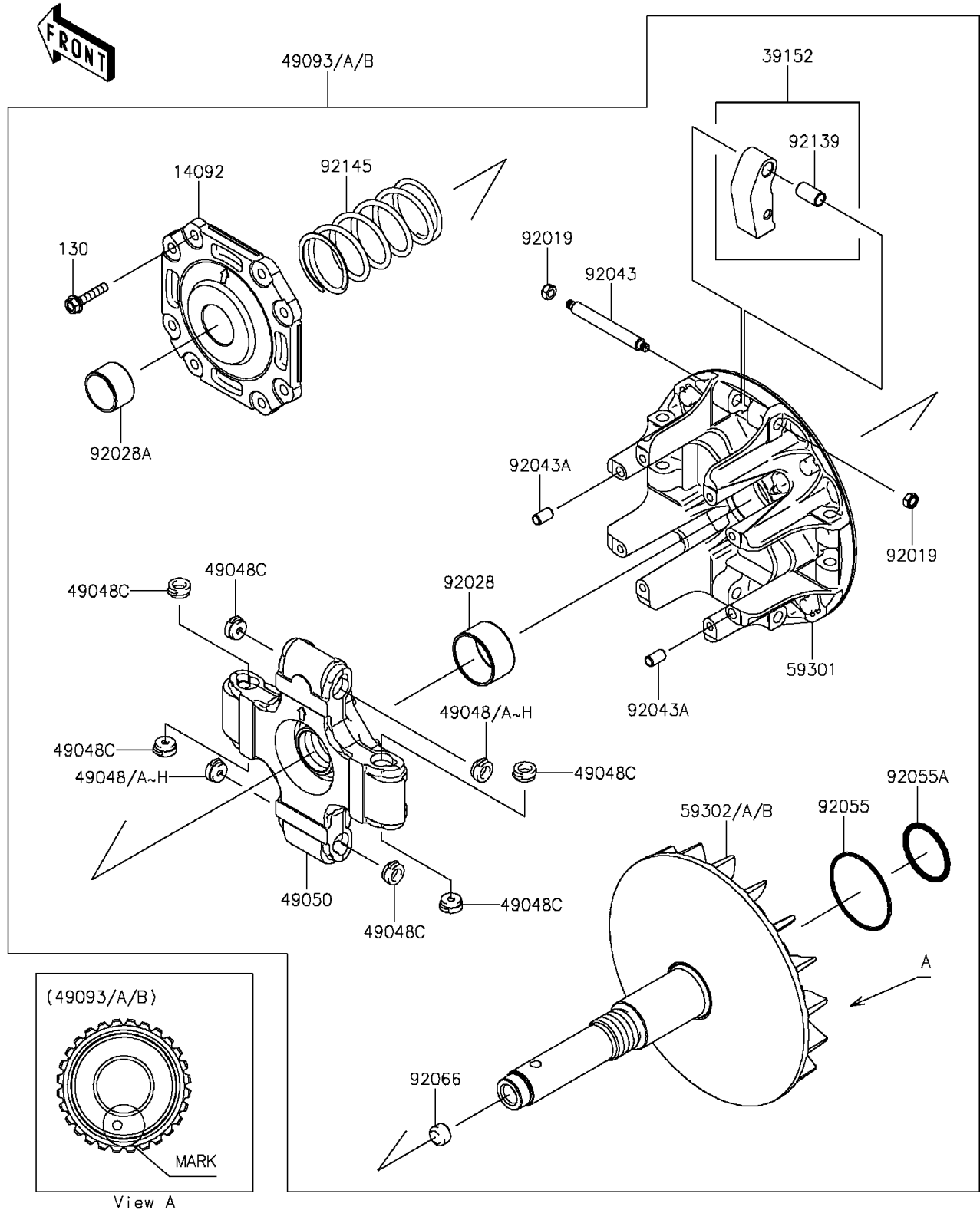


2016 MULE PRO-DXT™ EPS PARTS DIAGRAM

Drive Converter

E1391



2016 MULE PRO-DXT™ EPS PARTS LIST

Drive Converter

| ITEM NAME | PART NUMBER | QUANTITY |
|--|-------------|----------|
| BOLT-FLANGED,6X30 (Ref # 130) | 130CA0630 | 1 |
| COVER (Ref # 14092) | 14092-1201 | 1 |
| WEIGHT-RAMP (Ref # 39152) | 39152-0043 | 1 |
| SHOE,T=7.2 (Ref # 49048) | 49048-1087 | 1 |
| SHOE,T=7.3 (Ref # 49048A) | 49048-1088 | 1 |
| SHOE,T=7.4 (Ref # 49048B) | 49048-1089 | 1 |
| SHOE,T=7.5 (Ref # 49048C) | 49048-1090 | 1 |
| SHOE,T=7.6 (Ref # 49048D) | 49048-1091 | 1 |
| SHOE,T=7.7 (Ref # 49048E) | 49048-1092 | 1 |
| SHOE,T=7.8 (Ref # 49048F) | 49048-1093 | 1 |
| SHOE,T=7.9 (Ref # 49048G) | 49048-1094 | 1 |
| SHOE,T=8.0 (Ref # 49048H) | 49048-1095 | 1 |
| SPIDER (Ref # 49050) | 49050-1083 | 1 |
| CONVERTER-DRIVE,B MARK,WHITE (Ref # 49093) | 49093-0050 | 1 |
| CONVERTER-DRIVE,A MARK,BLUE (Ref # 49093A) | 49093-0069 | 1 |
| CONVERTER-DRIVE,C MARK,YELLOW (Ref # 49093B) | 49093-0070 | 1 |
| SHEAVE-MOVABLE (Ref # 59301) | 59301-0025 | 1 |
| SHEAVE-COMP,B MARK,WHITE (Ref # 59302) | 59302-0092 | 1 |
| SHEAVE-COMP,A MARK,BLUE (Ref # 59302A) | 59302-0093 | 1 |
| SHEAVE-COMP,C MARK,YELLOW (Ref # 59302B) | 59302-0094 | 1 |
| NUT,LOCK,6MM (Ref # 92019) | 92019-008 | 1 |
| BUSHING (Ref # 92028) | 92028-1975 | 1 |
| BUSHING (Ref # 92028A) | 92028-1980 | 1 |
| PIN (Ref # 92043) | 92043-0809 | 1 |
| PIN,6.2X8X14 (Ref # 92043A) | 92043-1263 | 1 |
| RING-O,59.5X2.4 (Ref # 92055) | 92055-0753 | 1 |
| RING-O,3.5X39.7 (Ref # 92055A) | 92055-0789 | 1 |
| PLUG (Ref # 92066) | 92066-0784 | 1 |
| BUSHING,9X11X19.75 (Ref # 92139) | 92139-1103 | 1 |

2016 MULE PRO-DXT™ EPS PARTS LIST

Drive Converter

| ITEM NAME | PART NUMBER | QUANTITY |
|----------------------|-------------|----------|
| SPRING (Ref # 92145) | 92145-1670 | 1 |