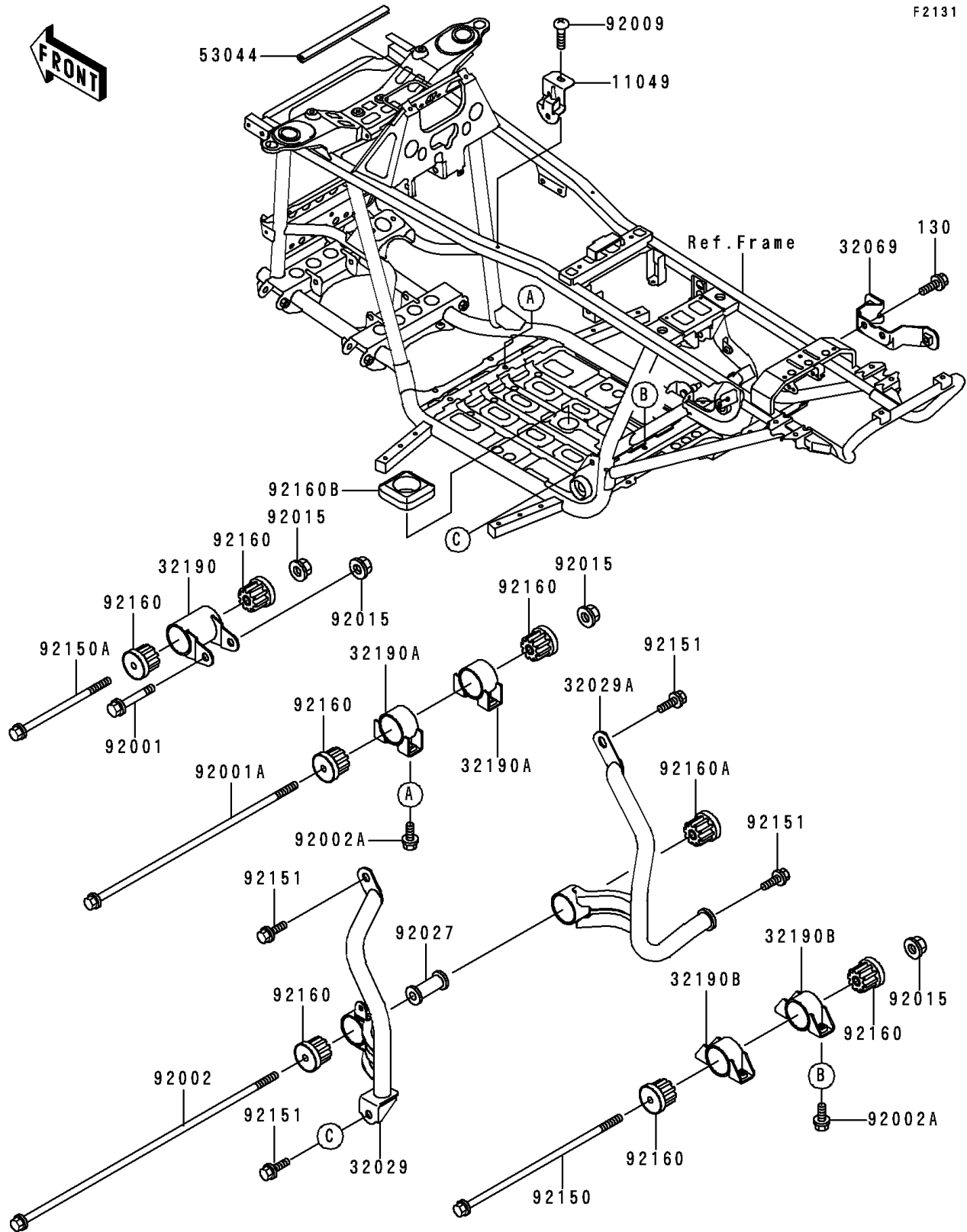


## 1998 Prairie® 400 PARTS DIAGRAM

Frame Fittings



F2131

## 1998 Prairie® 400 PARTS LIST

### Frame Fittings

ITEM NAME	PART NUMBER	QUANTITY
BOLT-FLANGED,8X14 (Ref # 130)	130J0814	1
BRACKET (Ref # 11049)	11049-1738	1
BRACKET-ENGINE,RR,UPP,LH (Ref # 32029)	32029-1970	1
BRACKET-ENGINE,RR,UPP,RH (Ref # 32029A)	32029-1971	1
BRACKET-MUFFLER (Ref # 32069)	32069-1485	1
BRACKET-ENGINE,HEAD (Ref # 32190)	32190-1078	1
BRACKET-ENGINE,FR,LWR (Ref # 32190A)	32190-1096	1
BRACKET-ENGINE,RR,LWR (Ref # 32190B)	32190-1097	1
TRIM,L=160 (Ref # 53044)	53044-1306	1
BOLT,FLANGED,10X70 (Ref # 92001)	92001-1600	1
BOLT,FLANGED,10X225,BLACK (Ref # 92001A)	92001-1622	1
BOLT,FLANGED,10X230 (Ref # 92002)	92002-1531	1
BOLT,FLANGED,8X16 (Ref # 92002A)	92002-1645	1
SCREW (Ref # 92009)	92009-1166	1
NUT,FLANGED,10MM (Ref # 92015)	92015-1727	1
COLLAR,L=54 (Ref # 92027)	92027-275	1
BOLT,FLANGED,10X173.5 (Ref # 92150)	92150-1493	1
BOLT,FLANGED,10X100 (Ref # 92150A)	92150-1731	1
BOLT,FLANGED,10X16 (Ref # 92151)	92151-1137	1
DAMPER,ENGINE MOUNT (Ref # 92160)	92160-1692	1
DAMPER,ENGINE MOUNT (Ref # 92160A)	92160-1759	1
DAMPER (Ref # 92160B)	92160-1772	1