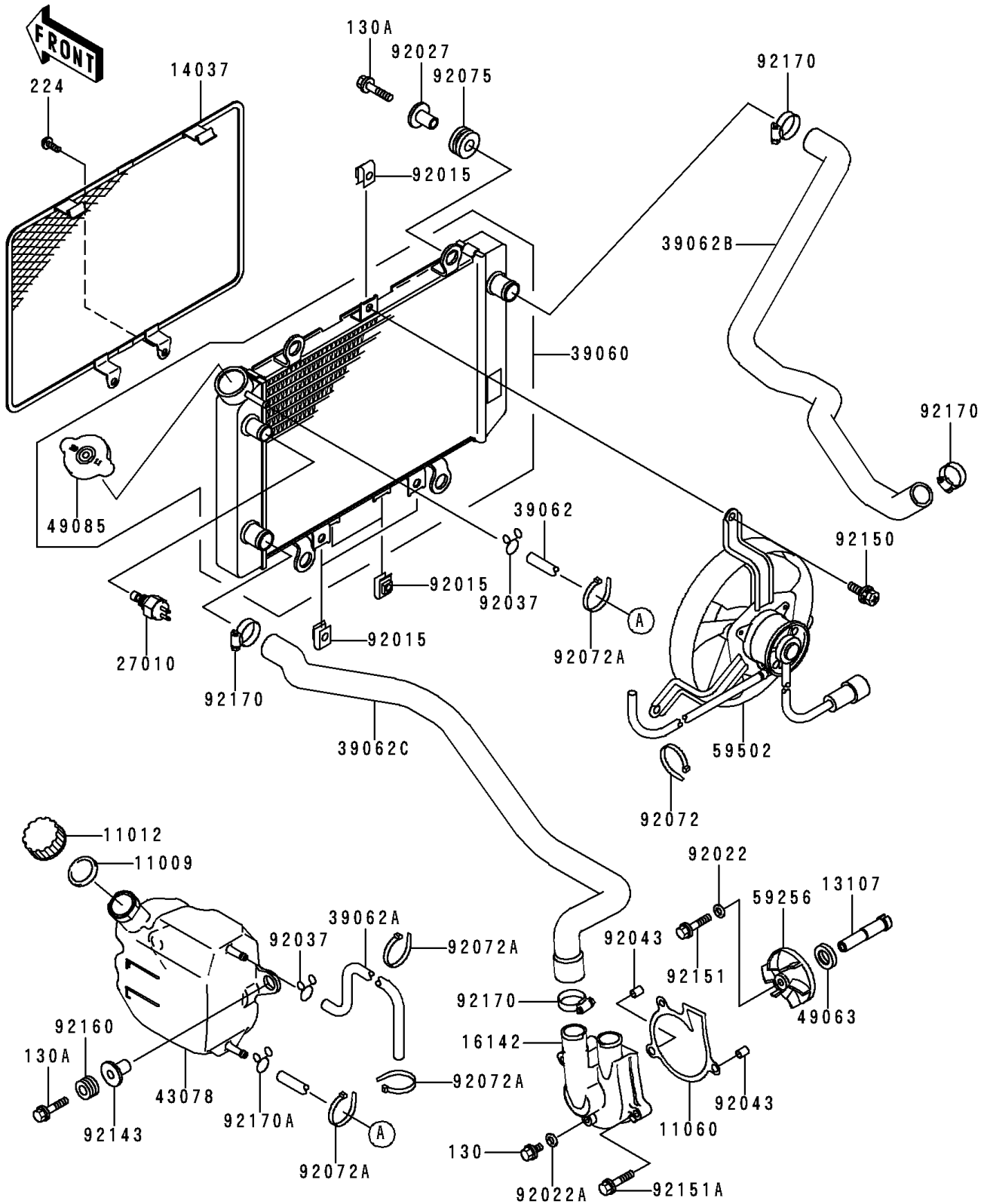


1998 Prairie® 400 PARTS DIAGRAM

Radiator(-VF400AE520627)

E3032



1998 Prairie® 400 PARTS LIST

Radiator(-VF400AE520627)

| ITEM NAME | PART NUMBER | QUANTITY |
|--|-------------|----------|
| BOLT-FLANGED (Ref # 130) | 130J0610 | 1 |
| BOLT-FLANGED,6X25 (Ref # 130A) | 130J0625 | 1 |
| SCREW-PAN-WP-CROS (Ref # 224) | 224C0612 | 1 |
| GASKET,RESERVOIR TANK CAP (Ref # 11009) | 11009-1145 | 1 |
| CAP (Ref # 11012) | 11012-1084 | 1 |
| GASKET,WATER PUMP COVER (Ref # 11060) | 11060-1730 | 1 |
| SHAFT (Ref # 13107) | 13107-1349 | 1 |
| SCREEN (Ref # 14037) | 14037-1221 | 1 |
| COVER-PUMP (Ref # 16142) | 16142-1137 | 1 |
| SWITCH,FAN (Ref # 27010) | 27010-1202 | 1 |
| RADIATOR (Ref # 39060) | 39060-1150 | 1 |
| HOSE-COOLING,5.5X10.5X1500 (Ref # 39062) | 39062-1675 | 1 |
| HOSE-COOLING,5.5X10.5X700 (Ref # 39062A) | 39062-1676 | 1 |
| HOSE-COOLING,HEAD- RADIATOR (Ref # 39062B) | 39062-1701 | 1 |
| HOSE-COOLING,RADIATOR-PUMP (Ref # 39062C) | 39062-1702 | 1 |
| RESERVOIR (Ref # 43078) | 43078-1154 | 1 |
| SEAL-MECHANICAL,WATER PUMP (Ref # 49063) | 49063-1002 | 1 |
| CAP-ASSY-PRESSURE (Ref # 49085) | 49085-1066 | 1 |
| IMPELLER (Ref # 59256) | 59256-1073 | 1 |
| FAN-ASSY (Ref # 59502) | 59502-1123 | 1 |
| NUT (Ref # 92015) | 92015-1487 | 1 |
| WASHER,6.1X12X1 (Ref # 92022) | 92022-077 | 1 |
| WASHER,6.2X11X1 (Ref # 92022A) | 92022-304 | 1 |
| COLLAR,L=13.1 (Ref # 92027) | 92027-251 | 1 |
| CLAMP,TUBE (Ref # 92037) | 92037-147 | 1 |
| PIN,DOWEL,8X10 (Ref # 92043) | 92043-1302 | 1 |
| BAND,L=123 (Ref # 92072) | 92072-030 | 1 |
| BAND,L=186 (Ref # 92072A) | 92072-056 | 1 |
| DAMPER (Ref # 92075) | 92075-209 | 1 |

1998 Prairie® 400 PARTS LIST

Radiator(-VF400AE520627)

| ITEM NAME | PART NUMBER | QUANTITY |
|--------------------------|-------------|----------|
| COLLAR (Ref # 92143) | 92143-1353 | 1 |
| BOLT,6X12 (Ref # 92150) | 92150-1186 | 1 |
| BOLT,6X22 (Ref # 92151) | 92151-1074 | 1 |
| BOLT,6X30 (Ref # 92151A) | 92151-1139 | 1 |
| DAMPER (Ref # 92160) | 92160-1167 | 1 |
| CLAMP (Ref # 92170) | 92170-1497 | 1 |
| CLAMP (Ref # 92170A) | 92170-2042 | 1 |