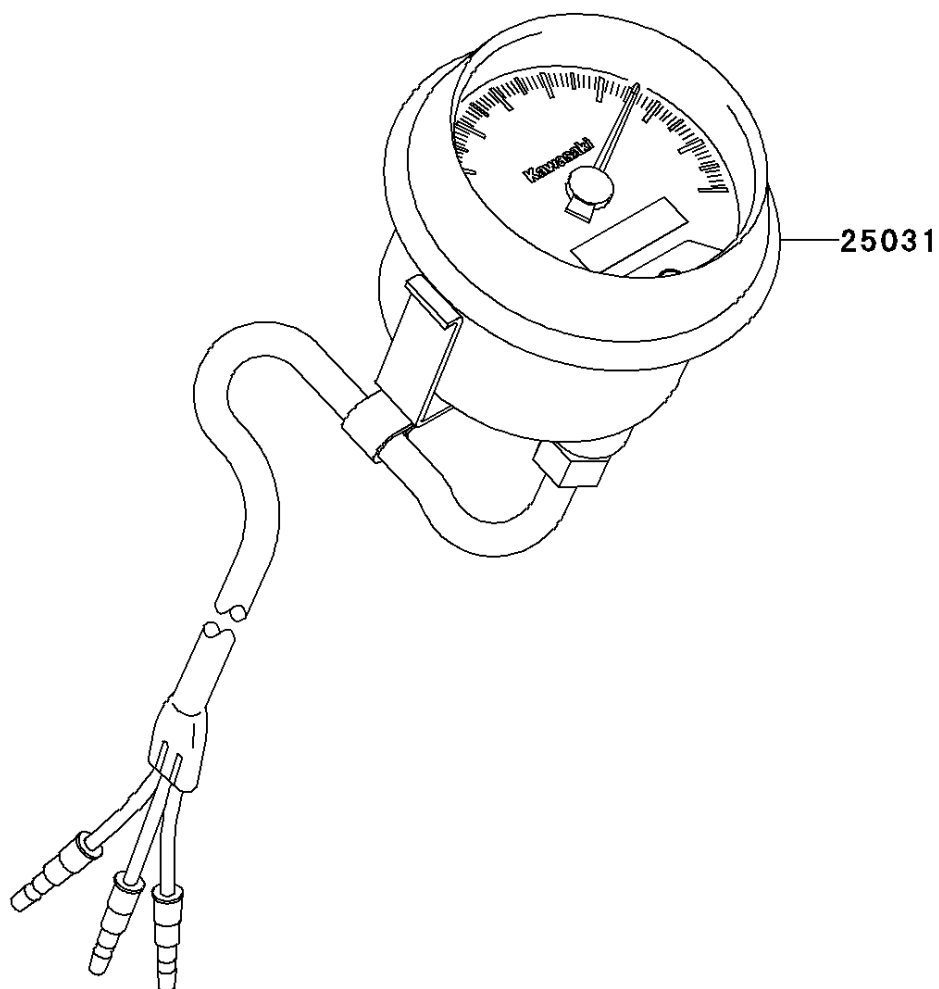


2006 Prairie® 360 4x4 Hardwoods® Green HD™ PARTS DIAGRAM

Optional Parts(Meter)(US)

F2890



2006 Prairie® 360 4x4 Hardwoods® Green HD™ PARTS LIST

Optional Parts(Meter)(US)

ITEM NAME	PART NUMBER	QUANTITY
METER-ASSY,MPH (Ref # 25031)	25031-0008	1