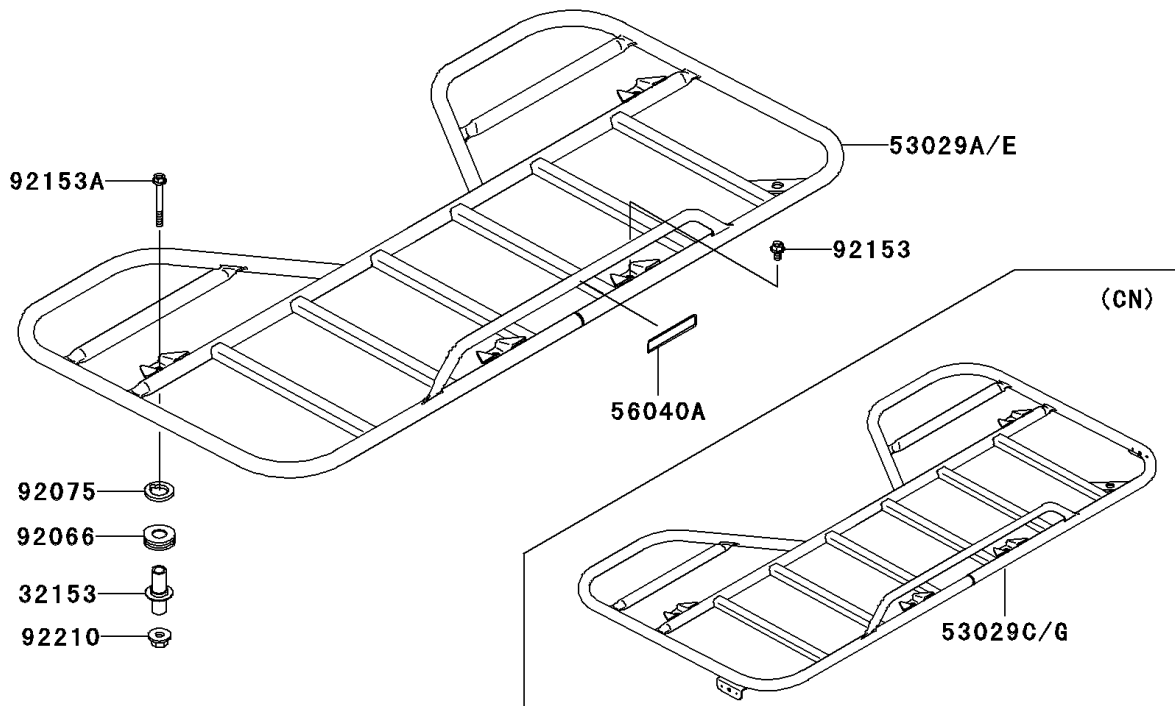
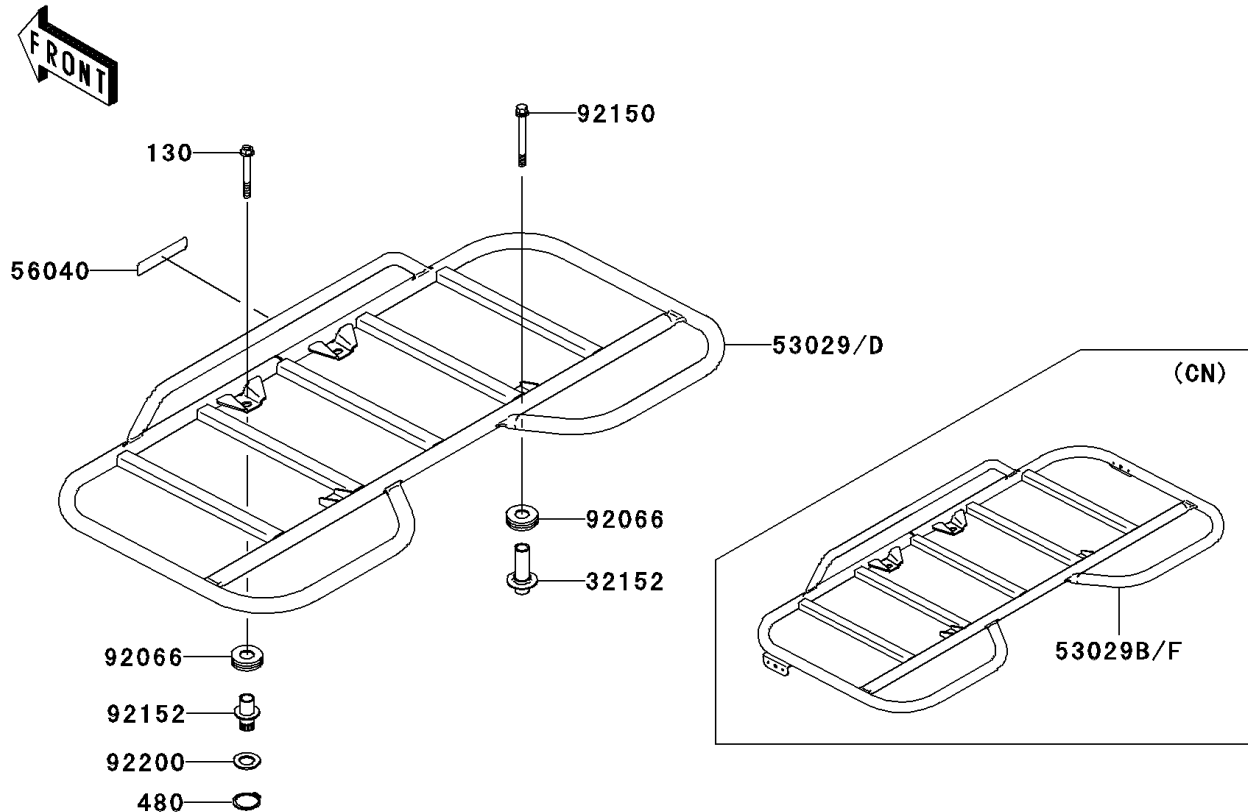


2006 Prairie® 360 4x4 Hardwoods® Green HD™ PARTS DIAGRAM

Carrier(s)

F2520



2006 Prairie® 360 4x4 Hardwoods® Green HD™ PARTS LIST

Carrier(s)

ITEM NAME	PART NUMBER	QUANTITY
BOLT-FLANGED,8X65 (Ref # 130)	130CB0865	1
CIRCLIP-TYPE-C,17MM (Ref # 480)	480J1700	1
PIPE,FRONT CARRIER (Ref # 32152)	32152-1067	1
PIPE (Ref # 32153)	32153-7527	1
LABEL-WARNING,MAXIMUM LOAD (Ref # 56040)	56040-1321	1
LABEL-WARNING,MAXIMUM LOAD (Ref # 56040A)	56040-1322	1
PLUG (Ref # 92066)	92066-1438	1
DAMPER (Ref # 92075)	92075-1842	1
BOLT,FLANGED,8X80 (Ref # 92150)	92150-1808	1
COLLAR,L=42.5 (Ref # 92152)	92152-7504	1
BOLT,FLANGED,8X14 (Ref # 92153)	92153-0931	1
BOLT,FLANGED,8X65 (Ref # 92153A)	92153-1372	1
WASHER,18.5X32X2.3 (Ref # 92200)	92200-1043	1
NUT,FLANGED,LOCK,8MM (Ref # 92210)	92210-0005	1
CARRIER,FR,T.BLACK (Ref # 53029)	53029-0027-388	1
CARRIER,RR,T.BLACK (Ref # 53029A)	53029-0028-388	1
CARRIER,FR,T.BLACK (Ref # 53029B)	53029-0029-388	1
CARRIER,RR,T.BLACK (Ref # 53029C)	53029-0030-388	1