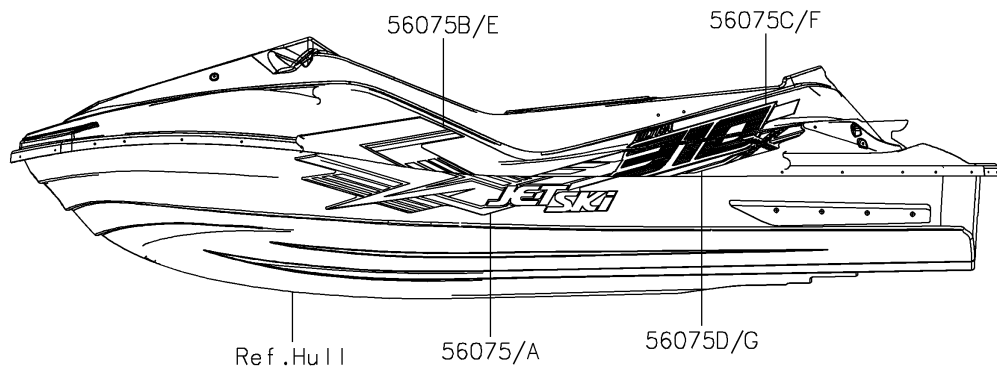
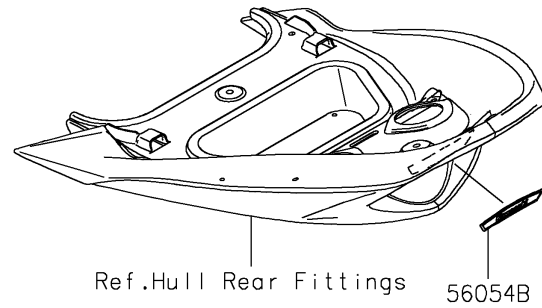
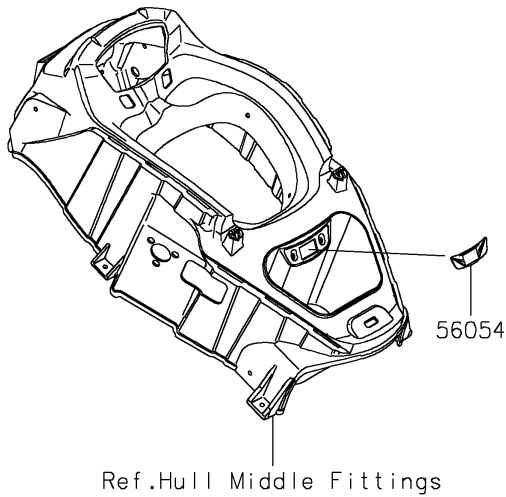
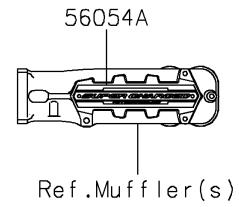
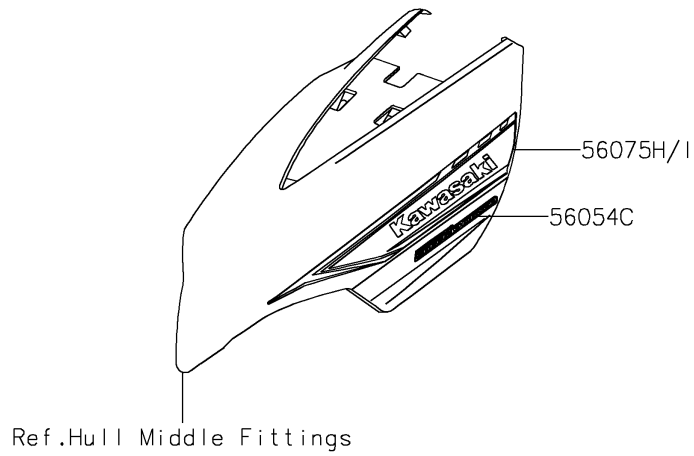


2019 Jet Ski® Ultra® 310X SE PARTS DIAGRAM

Decals

F3880



2019 Jet Ski® Ultra® 310X SE PARTS LIST

Decals

ITEM NAME	PART NUMBER	QUANTITY
MARK,IMMOBILIZER (Ref # 56054)	56054-1333	1
MARK,SUPER CHARGED (Ref # 56054A)	56054-1334	1
MARK,GRIP,KAWASAKI (Ref # 56054B)	56054-1335	1
MARK,SUPERCHARGED (Ref # 56054C)	56054-1840	1
PATTERN,HULL,LH (Ref # 56075)	56075-7004	1
PATTERN,HULL,RH (Ref # 56075A)	56075-7005	1
PATTERN,DECK,LH,FR (Ref # 56075B)	56075-7006	1
PATTERN,DECK,LH,RR,UPP (Ref # 56075C)	56075-7007	1
PATTERN,DECK,LH,RR,LWR (Ref # 56075D)	56075-7008	1
PATTERN,DECK,RH,FR (Ref # 56075E)	56075-7009	1
PATTERN,DECK,RH,RR,UPP (Ref # 56075F)	56075-7010	1
PATTERN,DECK,RH,RR,LWR (Ref # 56075G)	56075-7011	1
PATTERN,HATCH COVER,LH (Ref # 56075H)	56075-7012	1
PATTERN,HATCH COVER,RH (Ref # 56075I)	56075-7013	1