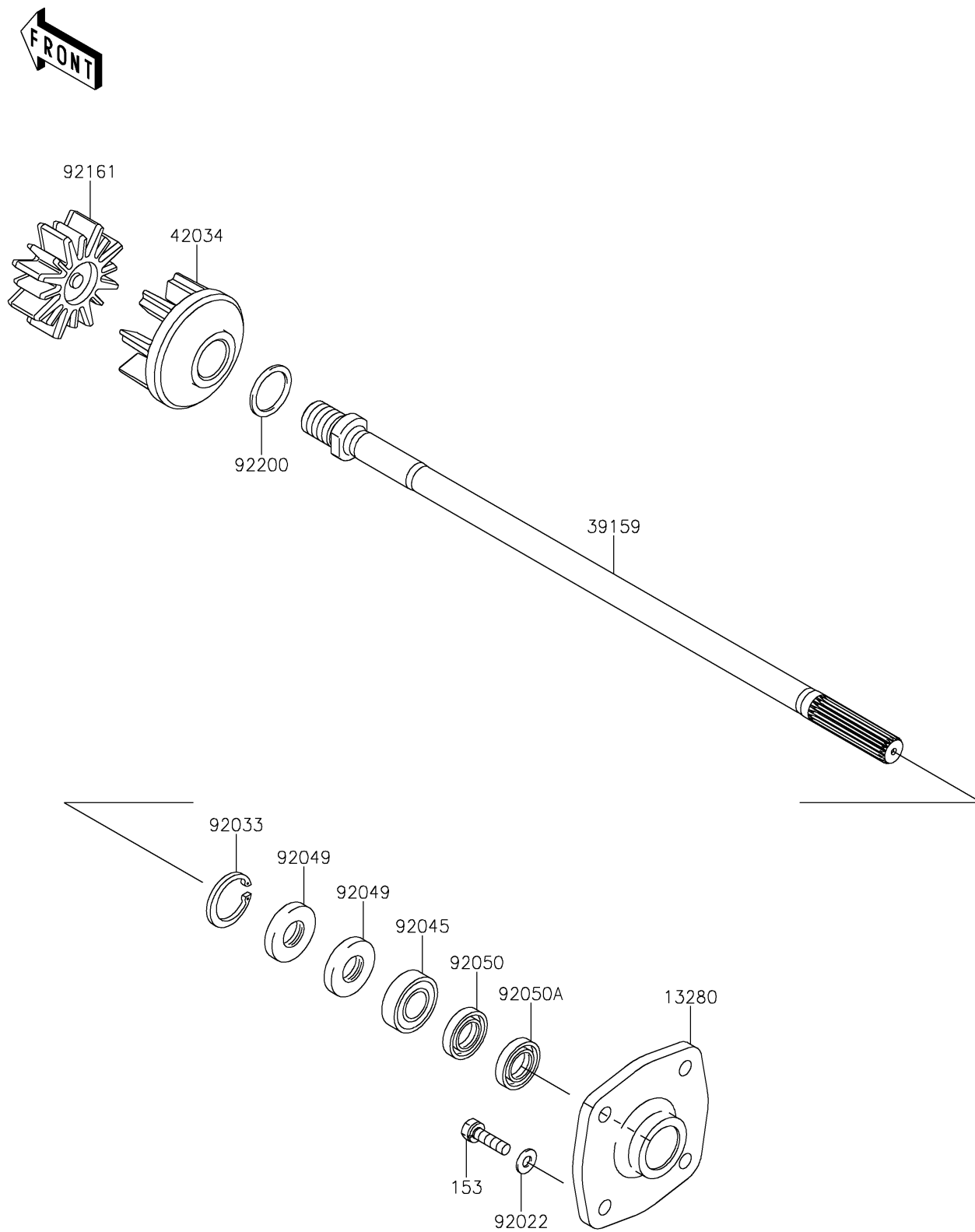


2019 Jet Ski® Ultra® 310X SE PARTS DIAGRAM

Drive Shaft

E3134



2019 Jet Ski® Ultra® 310X SE PARTS LIST

Drive Shaft

| ITEM NAME | PART NUMBER | QUANTITY |
|------------------------------------|-------------|----------|
| HOLDER (Ref # 13280) | 13280-3756 | 1 |
| BOLT-WS-SMALL,8X30 (Ref # 153) | 153R0830 | 1 |
| SHAFT-DRIVE (Ref # 39159) | 39159-0044 | 1 |
| COUPLING (Ref # 42034) | 42034-3720 | 1 |
| WASHER,8.2X18X1.5 (Ref # 92022) | 92022-1964 | 1 |
| RING-SNAP,42MM (Ref # 92033) | 92033-3713 | 1 |
| BEARING-BALL,60042RD (Ref # 92045) | 92045-3705 | 1 |
| SEAL-OIL,S620426 (Ref # 92049) | 92049-3707 | 1 |
| SEAL-OIL,SCY20368 (Ref # 92050) | 92050-502 | 1 |
| SEAL-OIL,SC20367 (Ref # 92050A) | 92050-503 | 1 |
| DAMPER,COUPLING (Ref # 92161) | 92161-3797 | 1 |
| WASHER,30.5X38X2 (Ref # 92200) | 92200-3809 | 1 |