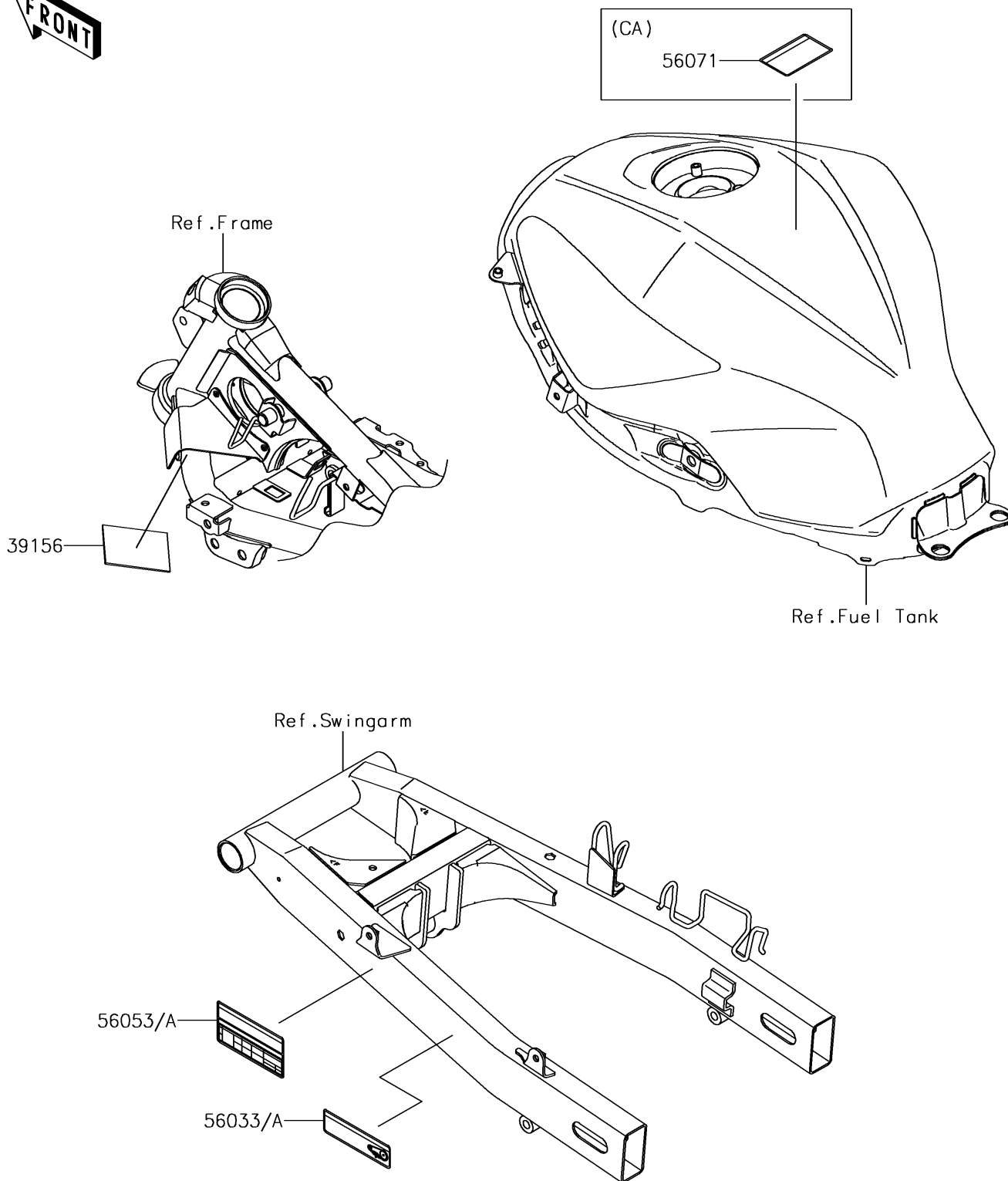


## 2016 NINJA® 300 PARTS DIAGRAM

Labels

F2860



## 2016 NINJA® 300 PARTS LIST

Labels

ITEM NAME	PART NUMBER	QUANTITY
PAD,LABEL BRACKET (Ref # 39156)	39156-0457	1
LABEL-MANUAL,CHAIN (Ref # 56033)	56033-0850	1
LABEL-SPECIFICATION,TIRE&LOAD (Ref # 56053)	56053-0974	1
LABEL-WARNING,EVAPO (Ref # 56071)	56071-0158	1