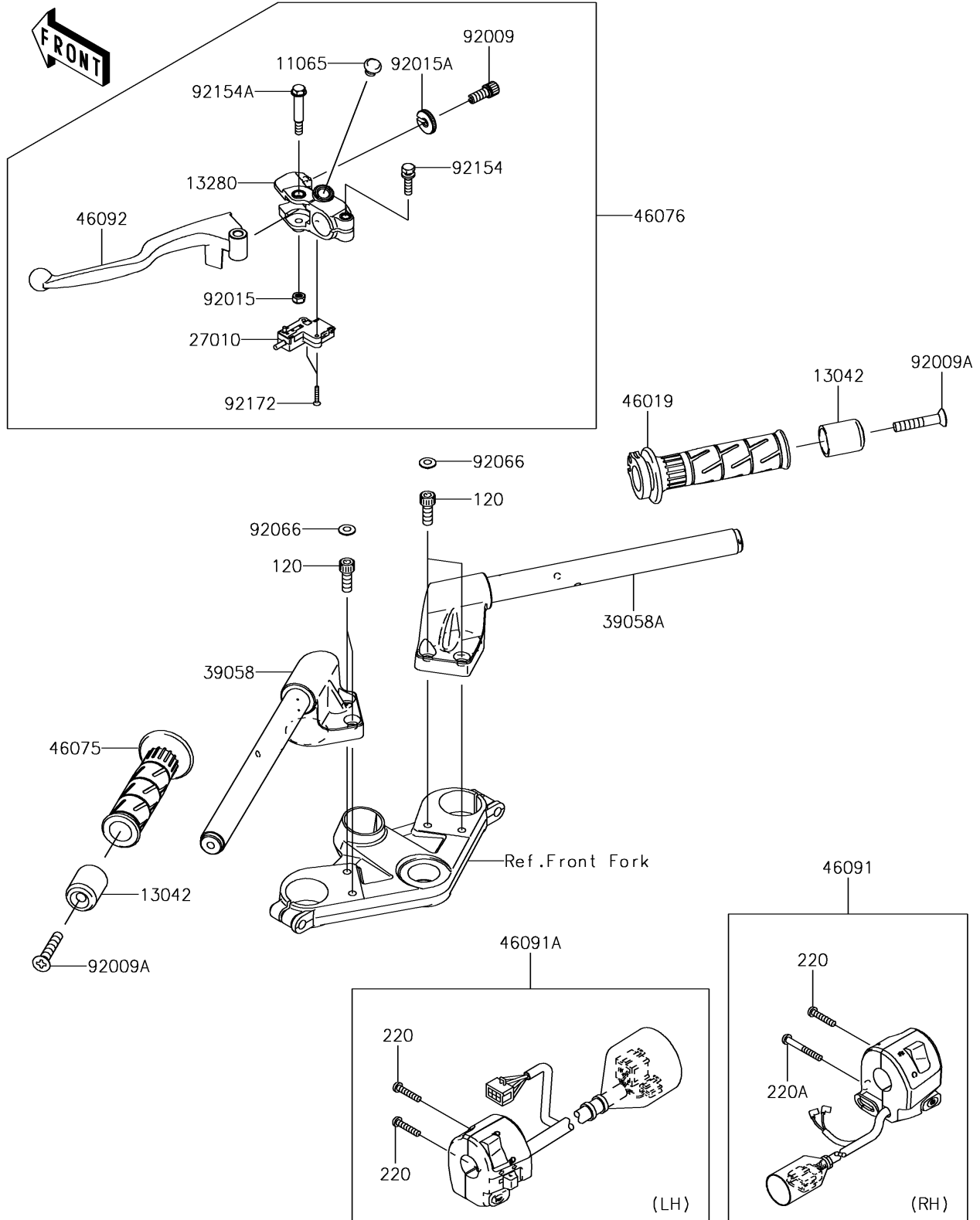


## 2016 NINJA® 300 PARTS DIAGRAM

Handlebar

F2310



## 2016 NINJA® 300 PARTS LIST

Handlebar

| ITEM NAME                                    | PART NUMBER    | QUANTITY |
|--|----------------|----------|
| CAP,DUMMY (Ref # 11065)                      | 11065-0921     | 1        |
| BOLT-SOCKET,8X22 (Ref # 120)                 | 120CB0822      | 1        |
| WEIGHT,HANDLE (Ref # 13042)                  | 13042-0032     | 1        |
| HOLDER,CLUTCH LEVER (Ref # 13280)            | 13280-0847     | 1        |
| SCREW-PAN-CROS,5X25 (Ref # 220)              | 220AB0525      | 1        |
| SCREW-PAN-CROS,5X40 (Ref # 220A)             | 220AB0540      | 1        |
| SWITCH,CLUTCH (Ref # 27010)                  | 27010-0729     | 1        |
| HANDLE-COMP,LH,F.S.BLACK (Ref # 39058)       | 39058-0007-18R | 1        |
| HANDLE-COMP,RH,F.S.BLACK (Ref # 39058A)      | 39058-0008-18R | 1        |
| GRIP-ASSY,THROTTLE (Ref # 46019)             | 46019-0060     | 1        |
| GRIP,HANDLE,LH (Ref # 46075)                 | 46075-0564     | 1        |
| LEVER-ASSY-GRIP,CLUTCH (Ref # 46076)         | 46076-0123     | 1        |
| HOUSING-ASSY-CONTROL,RH (Ref # 46091)        | 46091-0205     | 1        |
| HOUSING-ASSY-CONTROL,LH (Ref # 46091A)       | 46091-0249     | 1        |
| LEVER-GRIP,CLUTCH (Ref # 46092)              | 46092-0562     | 1        |
| SCREW,CABLE ADJUST,8MM,BLACK (Ref # 92009)   | 92009-1134     | 1        |
| SCREW,8X45 (Ref # 92009A)                    | 92009-1257     | 1        |
| NUT,LOCK,6MM,BLACK (Ref # 92015)             | 92015-1191     | 1        |
| NUT,CABLE ADJUST LOCK,8MM,BLK (Ref # 92015A) | 92015-1197     | 1        |
| PLUG (Ref # 92066)                           | 92066-1216     | 1        |
| BOLT (Ref # 92154)                           | 92154-1827     | 1        |
| BOLT,FLANGED,6X44 (Ref # 92154A)             | 92154-2331     | 1        |
| SCREW,3X16 (Ref # 92172)                     | 92172-0183     | 1        |