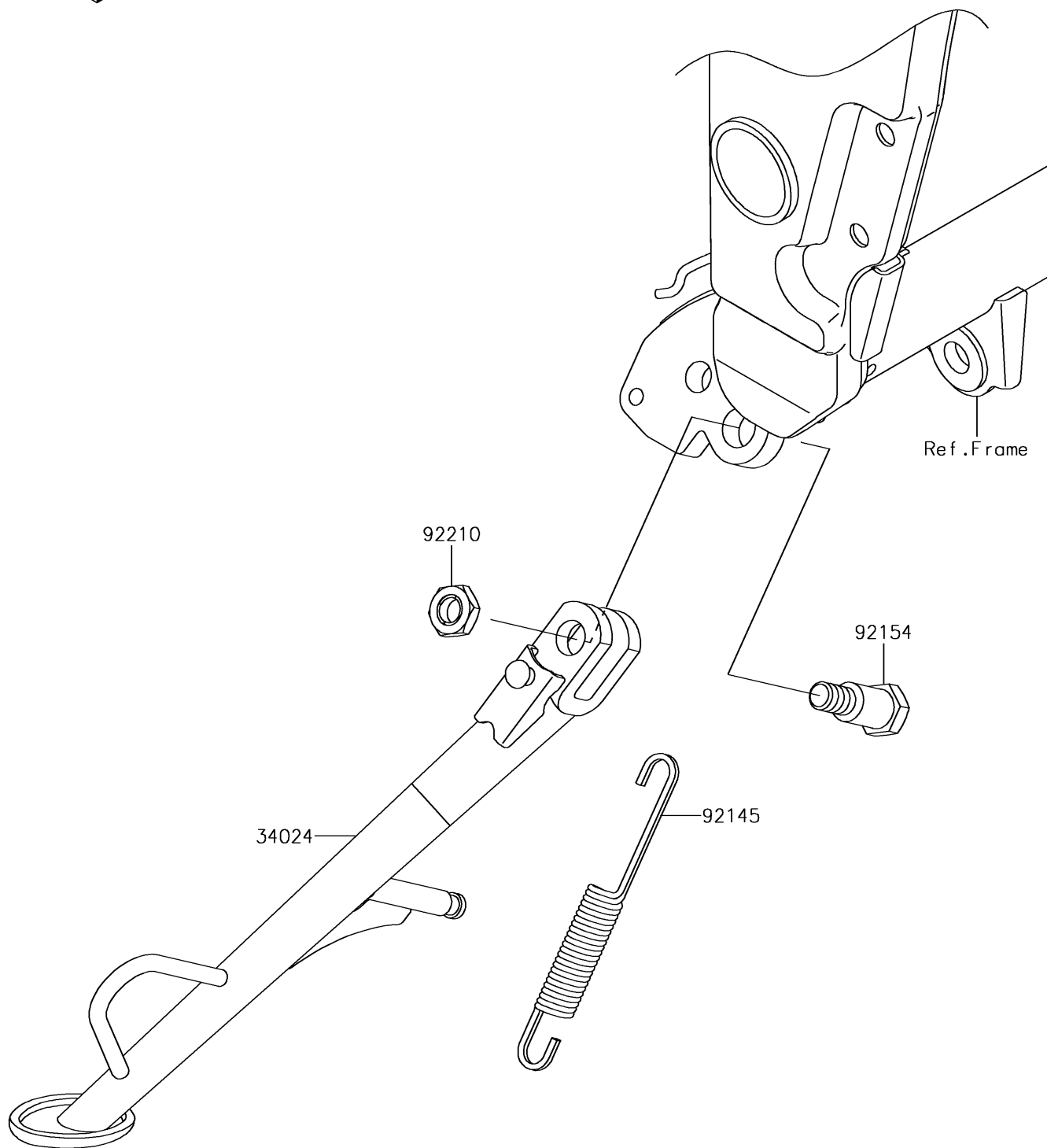


## 2016 NINJA® 300 PARTS DIAGRAM

Stand(s)

F2190



## 2016 NINJA® 300 PARTS LIST

Stand(s)

ITEM NAME	PART NUMBER	QUANTITY
STAND-SIDE,F.S.BLACK (Ref # 34024)	34024-0107-18R	1
SPRING,SIDE STAND (Ref # 92145)	92145-0804	1
BOLT,10X35.5 (Ref # 92154)	92154-1023	1
NUT,LOCK,10MM (Ref # 92210)	92210-0784	1