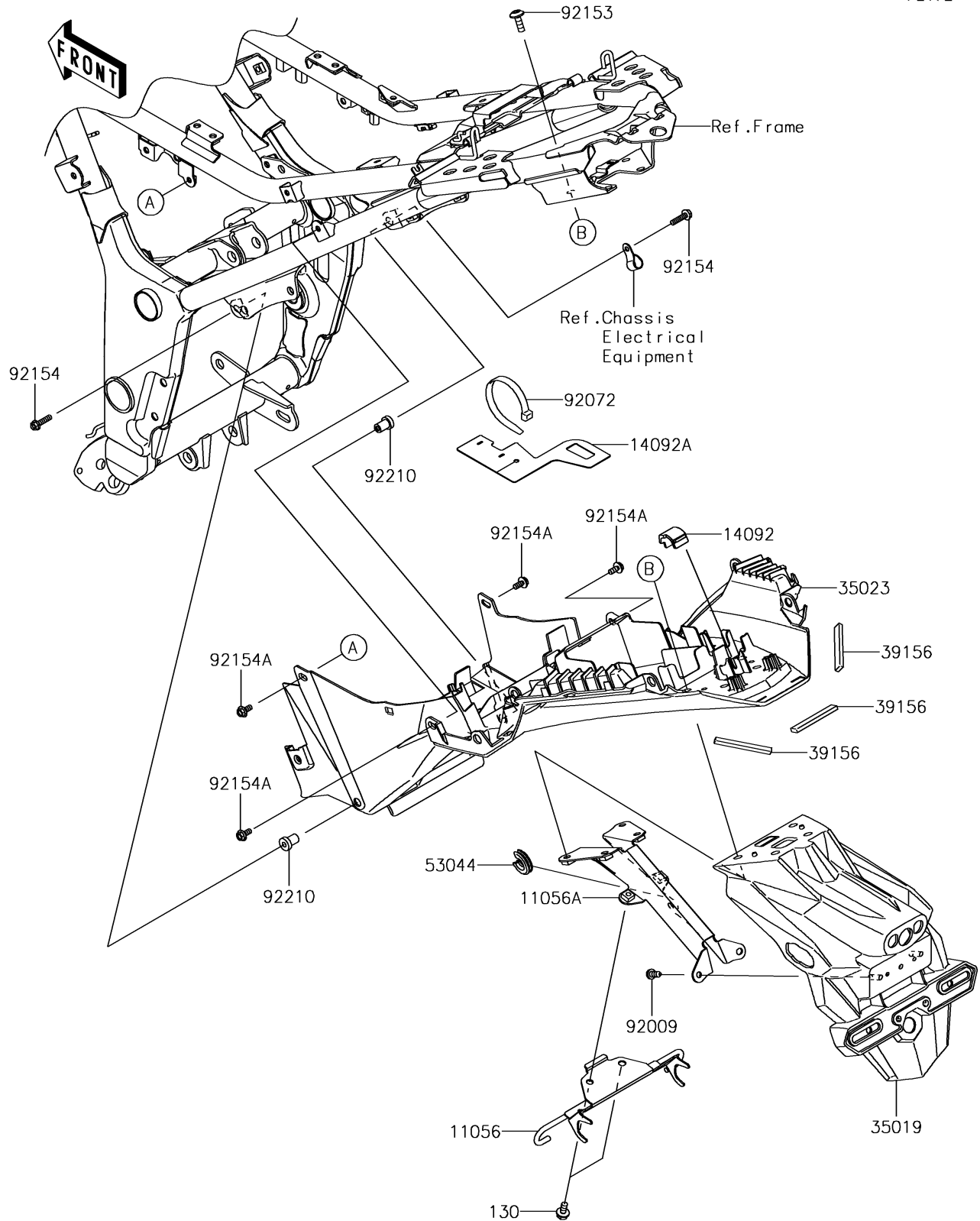


2016 NINJA® 300 PARTS DIAGRAM

Rear Fender(s)

F2172



2016 NINJA® 300 PARTS LIST

Rear Fender(s)

ITEM NAME	PART NUMBER	QUANTITY
BRACKET,FLAP,HOOK (Ref # 11056)	11056-1569	1
BRACKET,FLAP (Ref # 11056A)	11056-2310	1
BOLT-FLANGED,6X12 (Ref # 130)	130BA0612	1
COVER (Ref # 14092)	14092-0951	1
COVER,RR FENDER (Ref # 14092A)	14092-1106	1
FLAP (Ref # 35019)	35019-0566	1
FENDER-REAR (Ref # 35023)	35023-0340	1
PAD,9X60X4 (Ref # 39156)	39156-0820	1
TRIM (Ref # 53044)	53044-0565	1
SCREW,6X14 (Ref # 92009)	92009-3845	1
BAND,L=202 (Ref # 92072)	92072-1195	1
BOLT,6X18 (Ref # 92153)	92153-0816	1
BOLT,FLANGED,5X20 (Ref # 92154)	92154-1002	1
BOLT,FLANGED,5X12 (Ref # 92154A)	92154-1003	1
NUT,5MM (Ref # 92210)	92210-0001	1