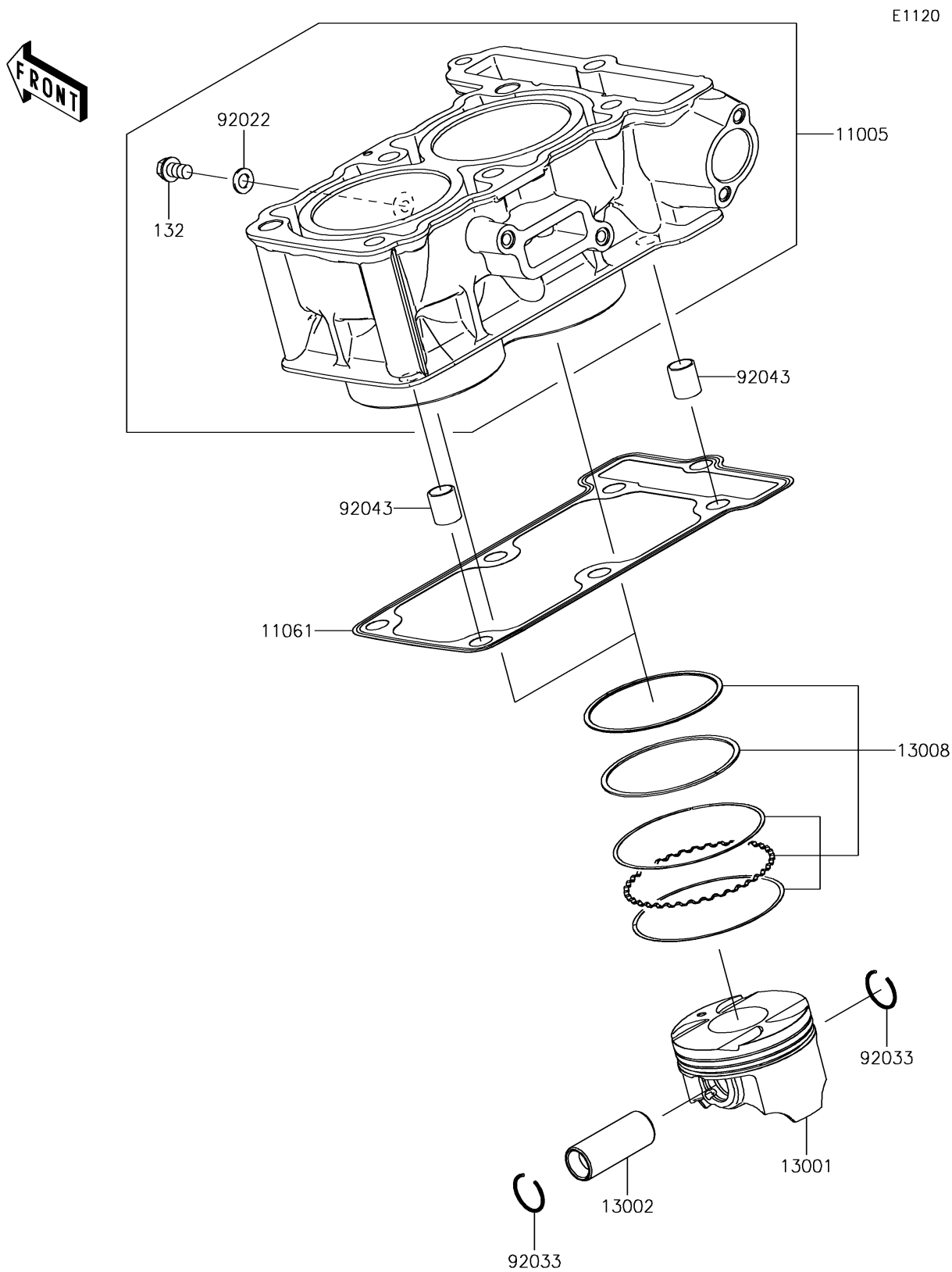


2016 NINJA® 300 PARTS DIAGRAM

Cylinder/Piston(s)



2016 NINJA® 300 PARTS LIST

Cylinder/Piston(s)

ITEM NAME	PART NUMBER	QUANTITY
CYLINDER-ENGINE (Ref # 11005)	11005-0653	1
GASKET,CYLINDER BASE (Ref # 11061)	11061-0790	1
PISTON-ENGINE (Ref # 13001)	13001-0742	1
PIN-PISTON (Ref # 13002)	13002-0710	1
RING-SET-PISTON (Ref # 13008)	13008-0047	1
BOLT-FLANGED-SMALL,6X10 (Ref # 132)	132BB0610	1
WASHER,6.2X11X1 (Ref # 92022)	92022-304	1
RING-SNAP,PISTON PIN (Ref # 92033)	92033-0732	1
PIN,8.2X10X14 (Ref # 92043)	92043-1264	1