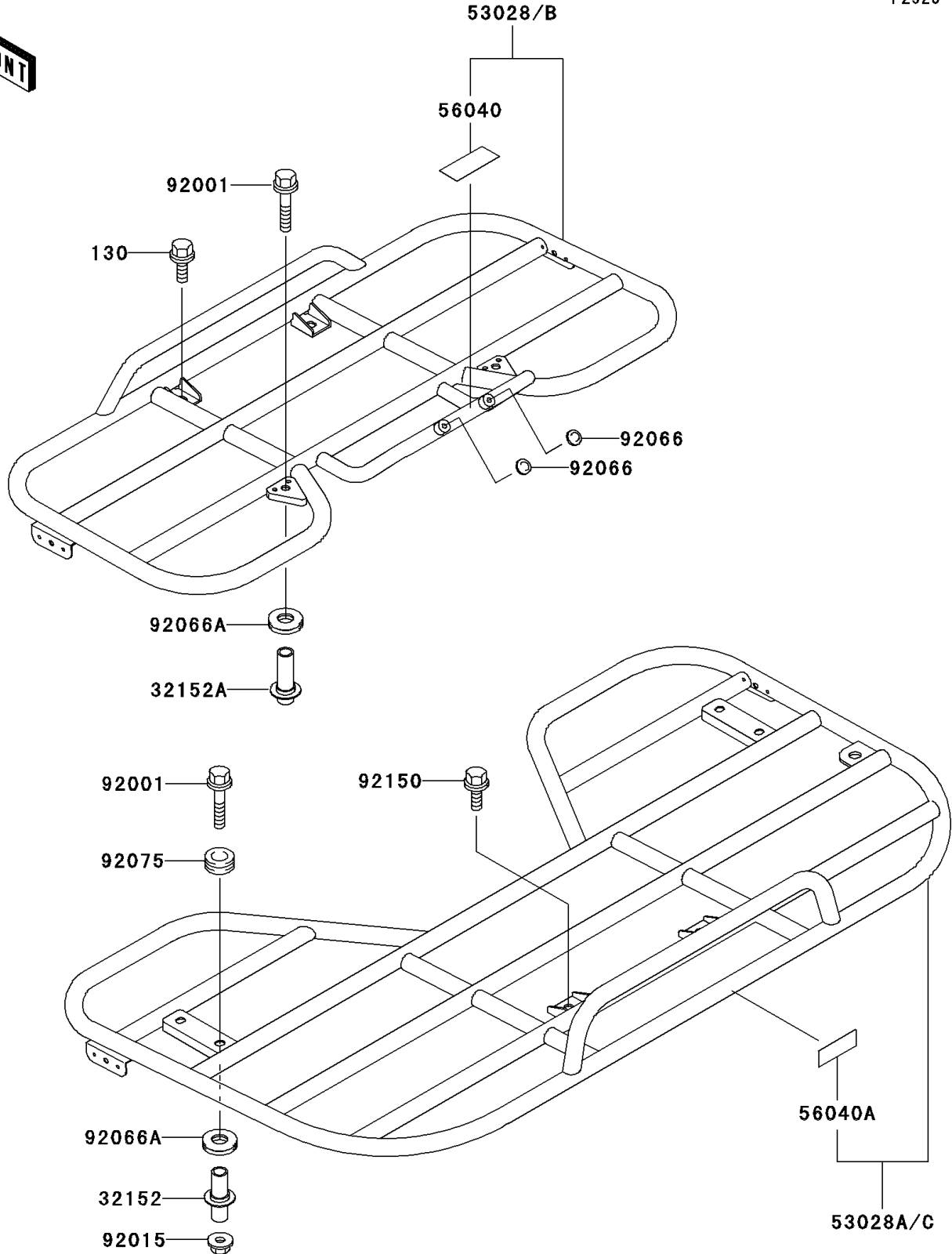


1999 Prairie® 300 PARTS DIAGRAM

Carrier(s)

F2520



1999 Prairie® 300 PARTS LIST

Carrier(s)

ITEM NAME	PART NUMBER	QUANTITY
BOLT-FLANGED,8X12 (Ref # 130)	130J0812	1
PIPE,REAR CARRIER (Ref # 32152)	32152-1066	1
PIPE,FRONT CARRIER (Ref # 32152A)	32152-1067	1
LABEL-WARNING,MAXIMUM LOAD (Ref # 56040)	56040-1321	1
LABEL-WARNING,MAXIMUM LOAD (Ref # 56040A)	56040-1322	1
BOLT,FLANGED,8X75,BLACK (Ref # 92001)	92001-1642	1
NUT,FLANGED,LOCK,8MM (Ref # 92015)	92015-1696	1
PLUG (Ref # 92066)	92066-1216	1
PLUG (Ref # 92066A)	92066-1438	1
DAMPER (Ref # 92075)	92075-1086	1
BOLT,8X12 (Ref # 92150)	92150-1780	1
CARRIER-ASSY,FR,P.C.GRAY (Ref # 53028)	53028-1095-CQ	1
CARRIER-ASSY,RR,P.C.GRAY (Ref # 53028A)	53028-1096-CQ	1
CARRIER-ASSY,FR,P.C.GRAY (Ref # 53028B)	53028-1099-CQ	1
CARRIER-ASSY,RR,P.C.GRAY (Ref # 53028C)	53028-1100-CQ	1