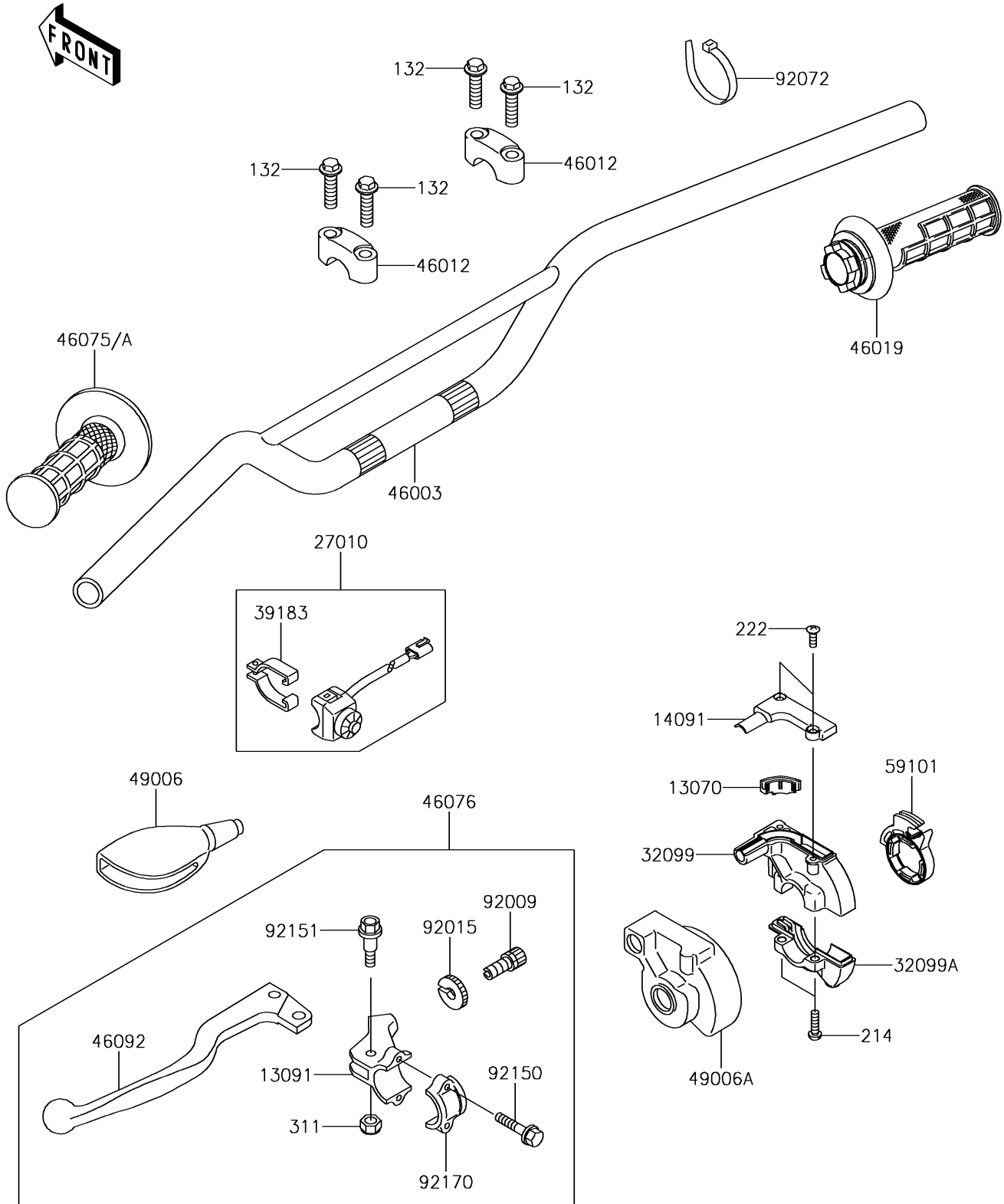


2015 KX™65 PARTS DIAGRAM

Handlebar

F2310



2015 KX™65 PARTS LIST

Handlebar

| ITEM NAME | PART NUMBER | QUANTITY |
|---|----------------|----------|
| GUIDE,THROTTLE (Ref # 13070) | 13070-0083 | 1 |
| HOLDER,CLUTCH LEVER (Ref # 13091) | 13091-1728 | 1 |
| BOLT-FLANGED-SMALL,8X30 (Ref # 132) | 132BC0830 | 1 |
| COVER,THROTTLE CASE,UPP (Ref # 14091) | 14091-0873 | 1 |
| SCREW-PAN+-,5X18 (Ref # 214) | 214AB0518 | 1 |
| SCREW-CSK-RD-CROS,4X12 (Ref # 222) | 222AB0412 | 1 |
| SWITCH,ENGINE STOP (Ref # 27010) | 27010-0035 | 1 |
| NUT-HEX,5MM (Ref # 311) | 311AA0500 | 1 |
| CASE,THROTTLE,UPP (Ref # 32099) | 32099-0037 | 1 |
| CASE,THROTTLE,LWR (Ref # 32099A) | 32099-0038 | 1 |
| BAND-ASSY,SWITCH (Ref # 39183) | 39183-1059 | 1 |
| HANDLE,F.S.BLACK (Ref # 46003) | 46003-0030-18R | 1 |
| HOLDER-HANDLE,UPP,F.BLACK (Ref # 46012) | 46012-0011-21 | 1 |
| GRIP-ASSY,THROTTLE (Ref # 46019) | 46019-0023 | 1 |
| GRIP,LH (Ref # 46075) | 46075-0072 | 1 |
| LEVER-ASSY-GRIP,CLUTCH (Ref # 46076) | 46076-1202 | 1 |
| LEVER-GRIP,CLUTCH (Ref # 46092) | 46092-1165 | 1 |
| BOOT,LEVER HOLDER (Ref # 49006) | 49006-1017 | 1 |
| BOOT,THROTTLE CASE (Ref # 49006A) | 49006-1097 | 1 |
| REEL,THROTTLE (Ref # 59101) | 59101-0003 | 1 |
| SCREW,CABLE ADJUST,8MM (Ref # 92009) | 92009-1435 | 1 |
| NUT,CABLE ADJUST LOCK,8MM (Ref # 92015) | 92015-1596 | 1 |
| BAND,L=100 (Ref # 92072) | 92072-0055 | 1 |
| BOLT (Ref # 92150) | 92150-1474 | 1 |
| BOLT,LEVER SET,5MM (Ref # 92151) | 92151-1103 | 1 |
| CLAMP,LEVER HOLDER (Ref # 92170) | 92170-1226 | 1 |